

B&W

TITLE

703 GENERAL ASSEMBLY

DRG. NO.

A5818-1-1

ISS

3

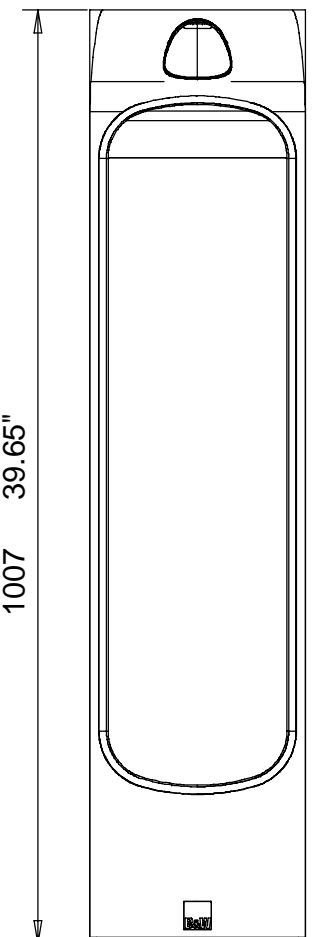
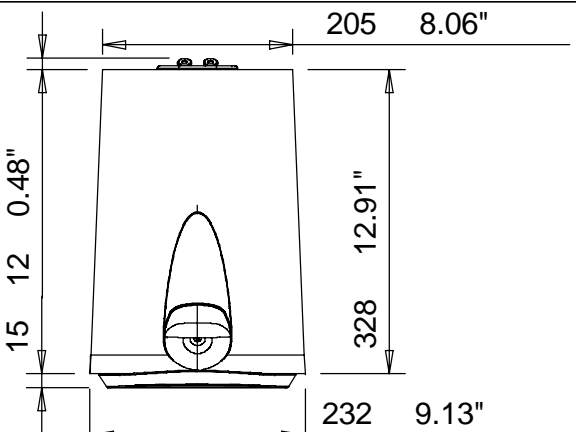
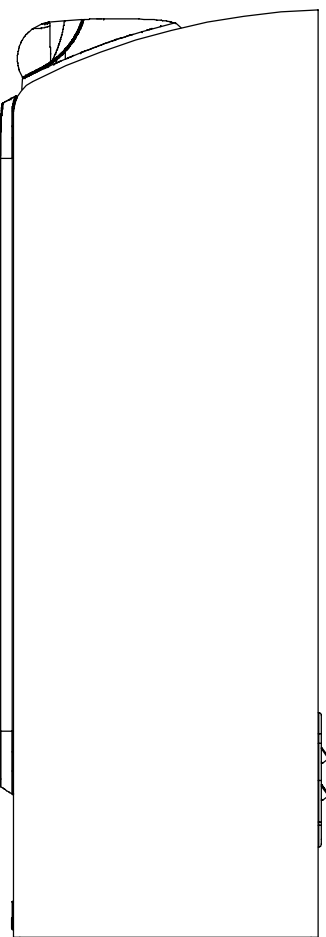
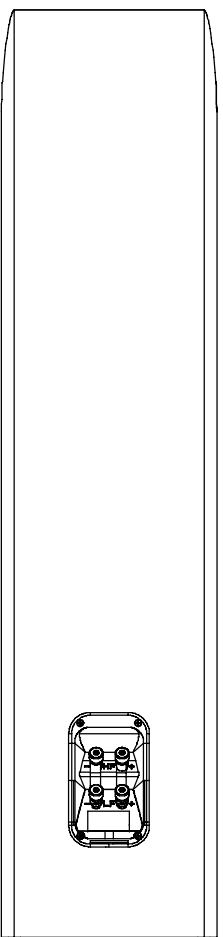
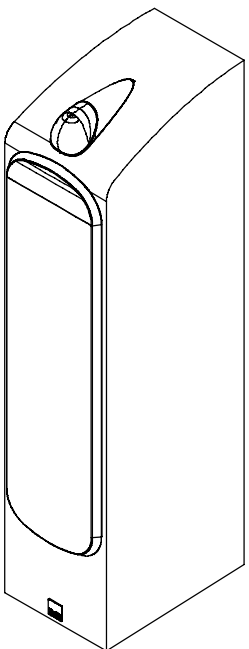
PART NO.

FP16489

COPYRIGHT © 2003

DATE 06/02/03

DRAWN PLB



ISSUE	3	DIMENSIONS IN INCHES ADDED	AMENDMENT	ECR2059	27/3/06	DATE	APPROVAL
-------	---	----------------------------	-----------	---------	---------	------	----------