

B&W

TITLE

704 G.A. LINE DRAWING

DRG. NO.

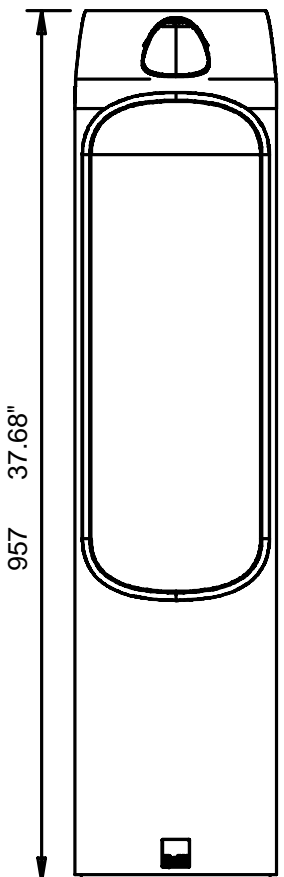
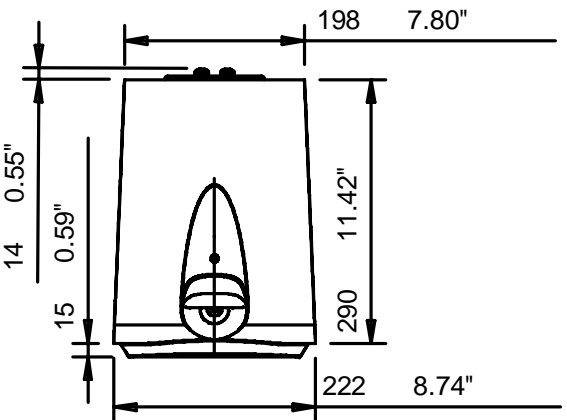
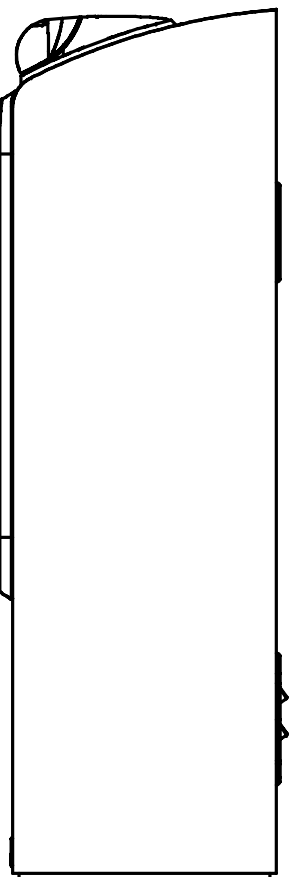
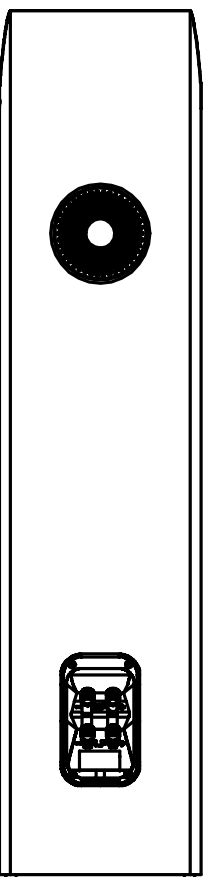
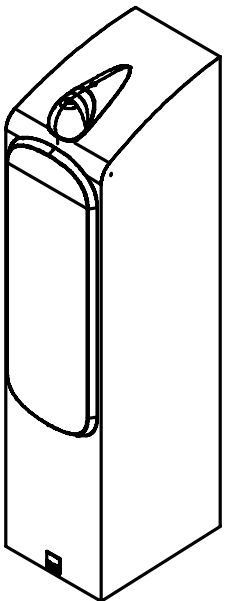
A5817-1-1

ISS

3

COPYRIGHT © 2003 DATE 05/02/03 DRAWN PLB

PART NO.
FP16446



ISSUE	3	DIMENSIONS IN INCHES ADDED		ECR2059	28/3/06	APPROVAL
		AMENDMENT		ECN No.	DATE	