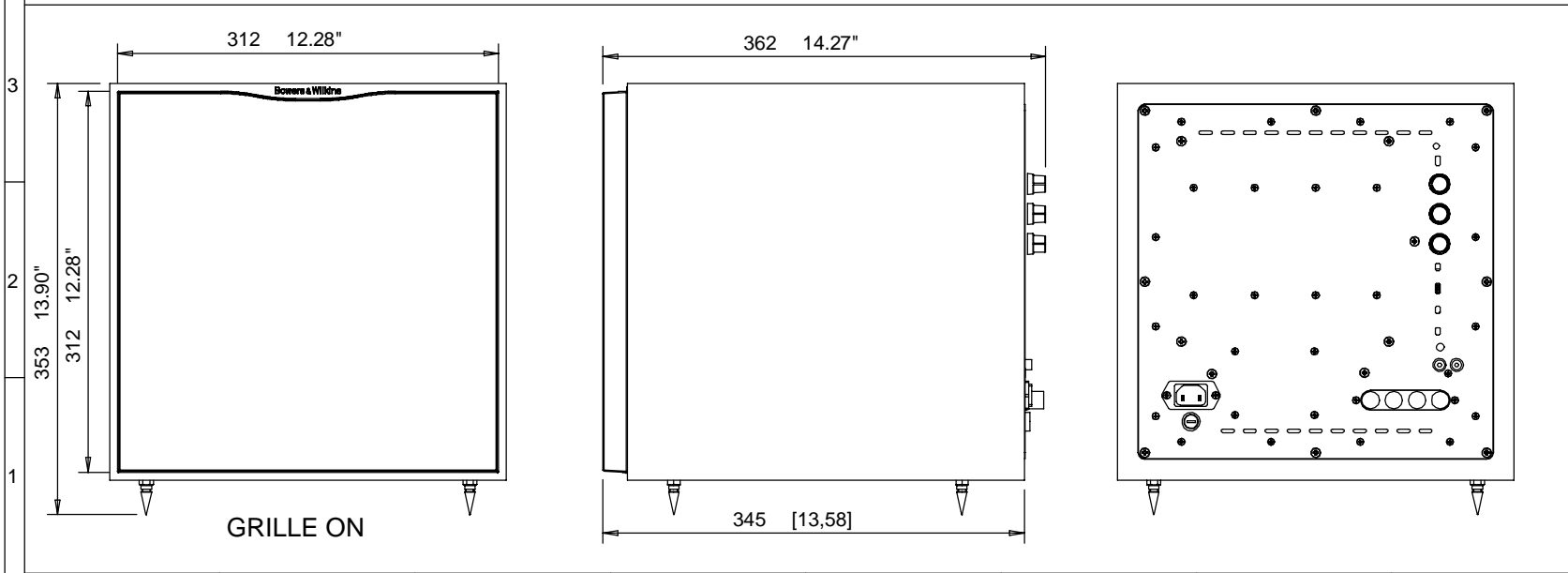


GRILLE OFF



GRILLE ON

ISSUE HISTORY		
ISS	ECR/SAN NUMBER	REQ
3		
DRN	DATE	CKD
PLB	29-01-08	

ISSUE DETAILS:
MAINS INLET CHANGED

ISS	ECR/SAN NUMBER	REQ
4	PDC2867	
DRN	DATE	CKD
PLB	04-02-08	

ISSUE DETAILS:
FUSE HOLDER ADDED

IF IN DOUBT ASK
 ALL COMPONENTS MUST BE RoHS COMPLIANT

PART NO.	FP27472
3-D DATA FILE NO	-ISS-
2-D DRG. NO.	A8848-1-1
SHEET OF	4

MATERIAL		FINISH		TITLE		FIRST DRAWN BY		COPYRIGHT		DOC PART NO.	
				ASW10CM LINE DRAWING		PLB		2007 B&W GROUP LTD			
						DATE		SCALE		DRG SIZE	
						02-11-07		1:4		A3	

