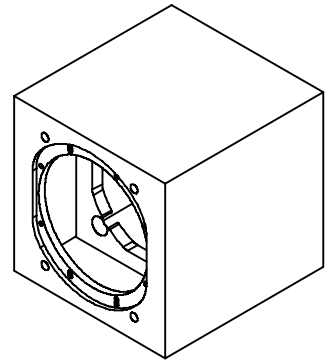


DETAIL B  
TYPICAL BRACE FIT

VOLUME  
DRIVE UNIT CAVITY :- 20.4 LITRES

NOTE:  
FOR VINYL OR VENEER DIRECTION AND FINISH REFER TO FINISH SPECIFICATION - SEE FINISH SHEET  
NOTE FOR SPECIFICATION IDENTIFICATION  
CABINET TO BE GLUED AND MADE AIRTIGHT TO 0.5 BAR  
BRACING AND INTERNAL MATRICES MUST BE BONDED TO INTERNAL SURFACES OF CABINET WITH A RIGID SETTING GLE AND BE RATTLE FREE  
ALL ADHESIVES TO APPROVED BY B&W  
FOAM TO BE APPROVED BY B&W  
INSERTS TO BE USED AS FIXINGS FOR STAND MOUNTING SHOULD BE FITTED FROM INSIDE THE CABINET, FLUSH. FLOOR BRACE INSERTS SHOULD BE FITTED FROM OUTSIDE OF THE CABINET, BOTH TYPES SHOULD NOT VENT INTO THE CABINET  
ALL DIMENSIONS REFER TO THE FINISHED CABINET AND MUST INCLUDE ANY ALLOWANCE FOR PRE AND POST MACHINING TREATMENTS SUCH AS LAQUER ETC..  
DIMENSIONS FOR INSPECTION ARE MARKED THUS: \*DIM\*  
IF IN DOUBT ASK



<p>DO NOT SCALE</p>	<p>DIMENSIONS IN mm</p> <p><b>TOLERANCES</b></p> <p>0. ± 0.5</p> <p>0.0 ± 0.3</p> <p>0.00 ± 0.1</p> <p>ANGLES ± 0.5°</p> <p>UNLESS OTHERWISE STATED</p>	<p>MATERIAL</p> <p>CABINET 22mm MDF + VENEER BASE PLINTH 25mm MDF + MELAMINE</p>	<p>4</p> <p>3</p> <p>2</p>	<p>1303</p> <p>28.09.04</p> <p>22.07.03</p> <p>03.06.03</p>	<p>CD</p> <p>RS</p>	<p>COPYRIGHT © 2003</p> <p>DRAWN KW DATE 19:02:03</p> <p>CHECKED/APPROVED</p>	<p>PART NO.</p> <p><b>SEE NOTE</b></p>
	<p>FINISH</p> <p>SEE NOTE</p>	<p>ISS</p> <p>AMENDMENT</p> <p>TITLE</p> <p><b>ASW 700 CABINET ASSEMBLY</b></p>	<p>ECN NO.</p> <p>DATE</p> <p>APPROVAL</p>	<p>SCALE 1:1</p> <p>FULL DRG SIZE A1</p>	<p>DRG. NO.</p> <p><b>C5865-1-1</b></p>	<p>ISS</p> <p>④</p>	