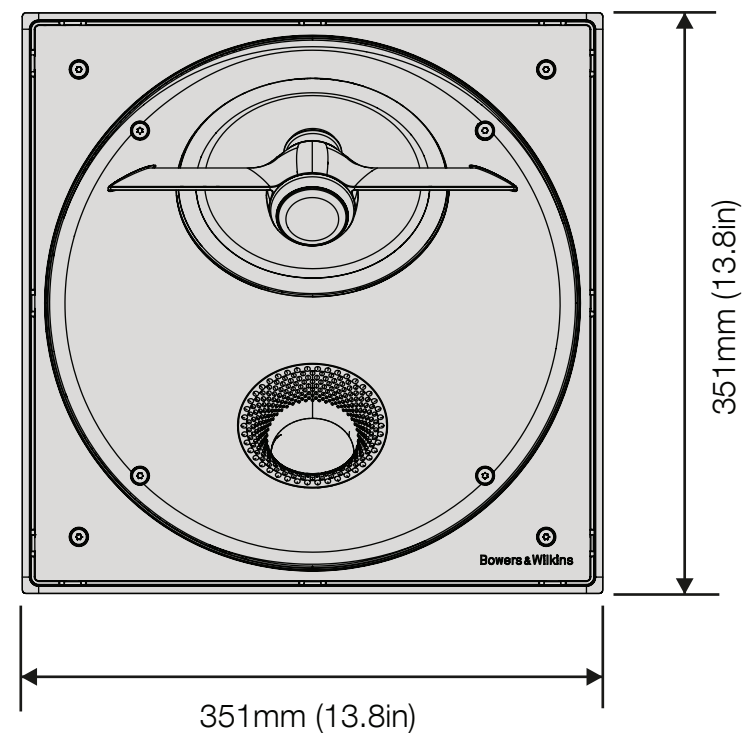
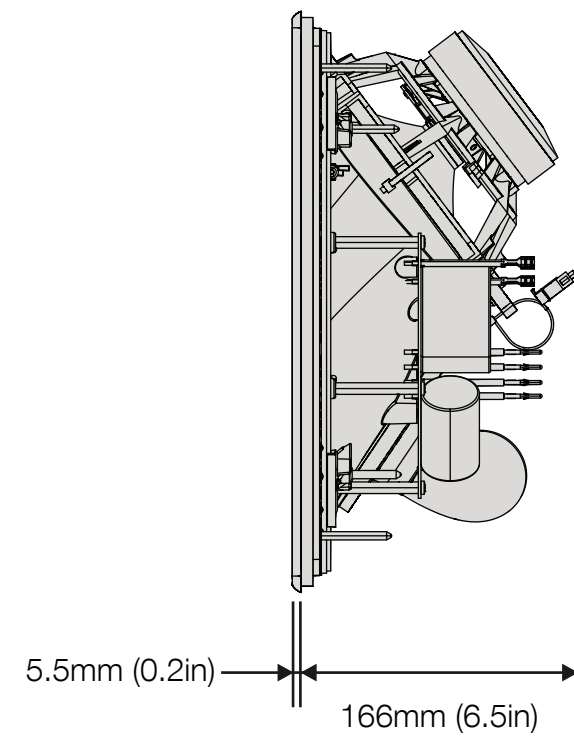


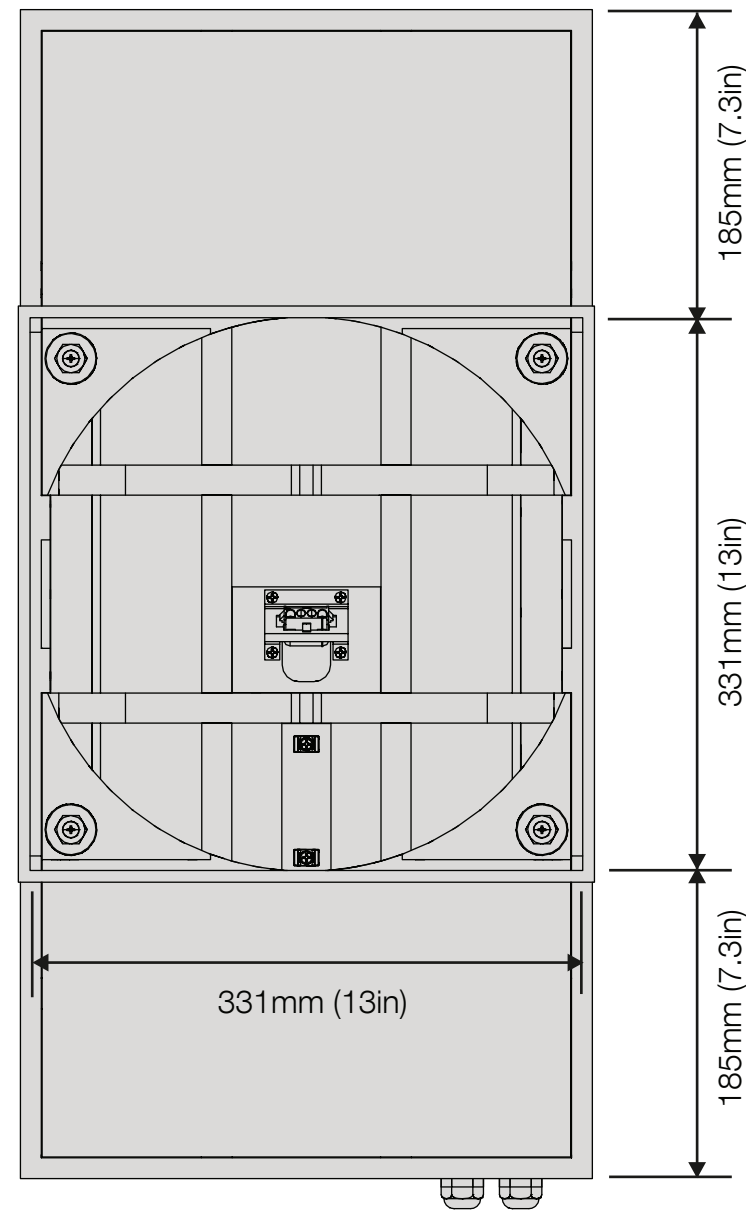
FRONT GRILLE OFF



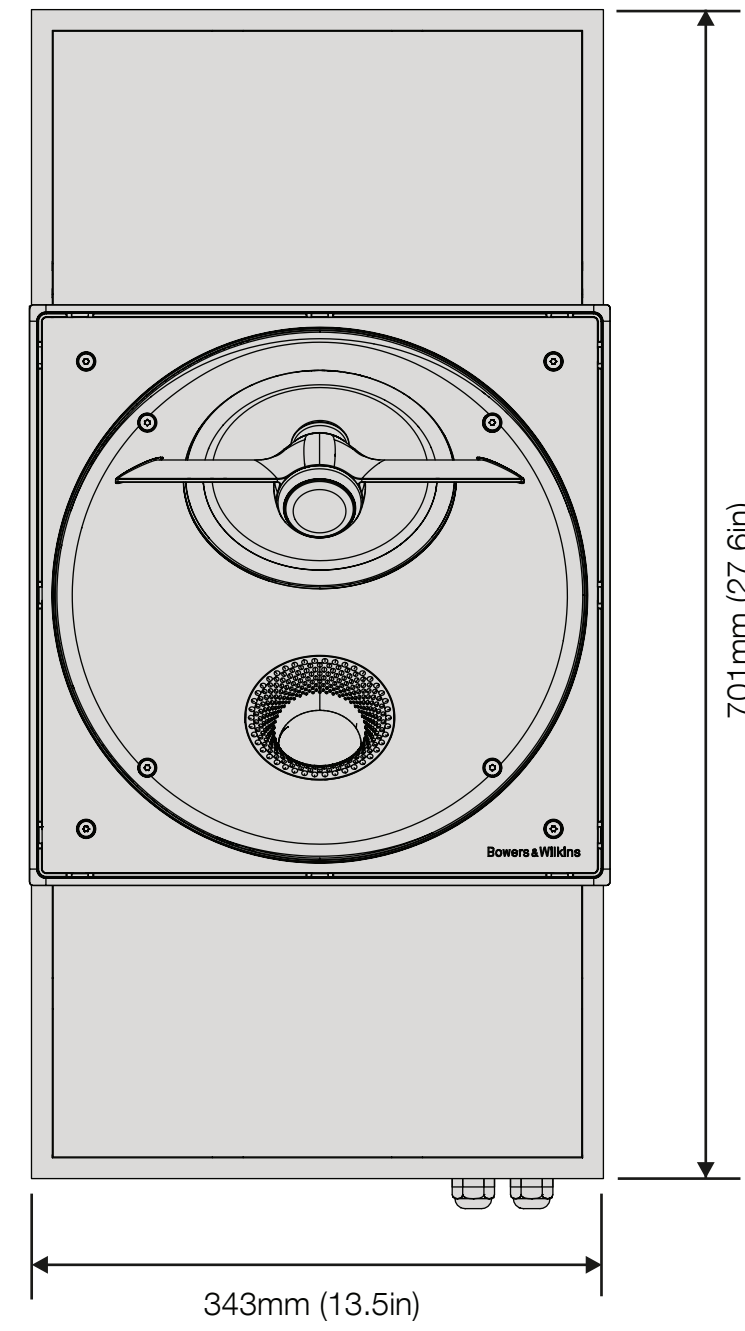
SIDE GRILLE OFF



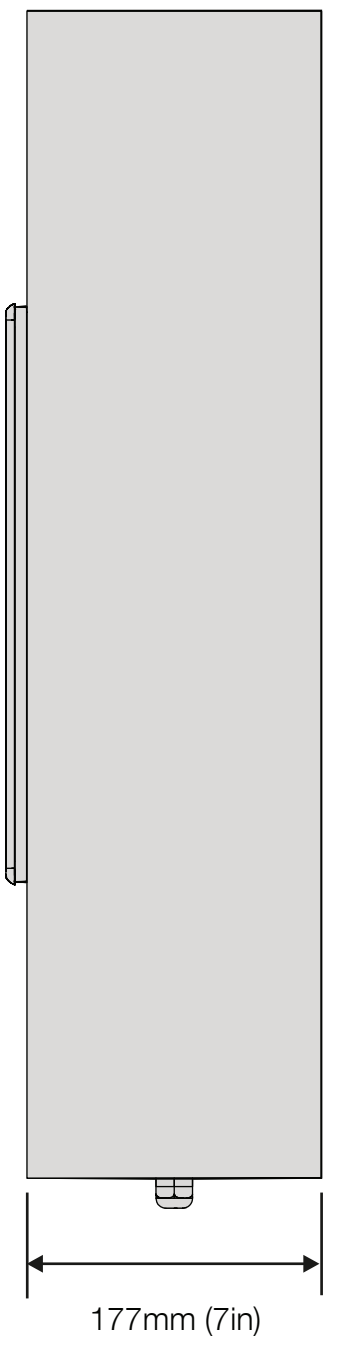
BACK BOX FRONT



BACK BOX WITH
PRODUCT FRONT



BACK BOX WITH
PRODUCT SIDE



BACK BOX WITH
GRILLE ON



BACK BOX SIDE
GRILLE ON

