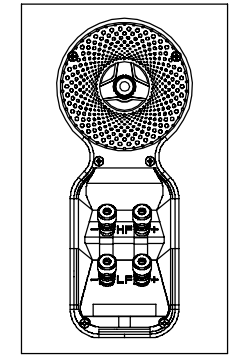
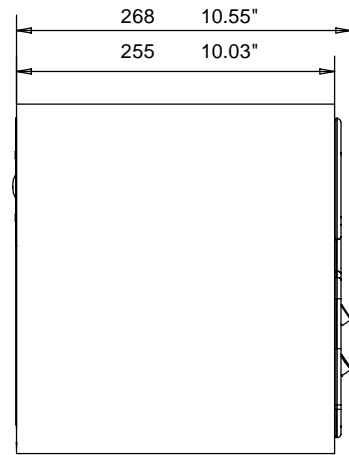
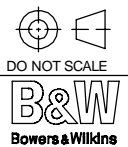
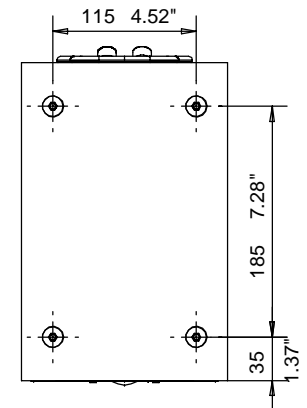
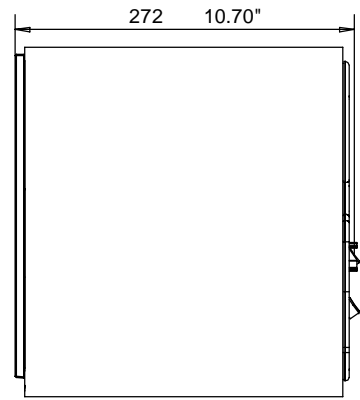
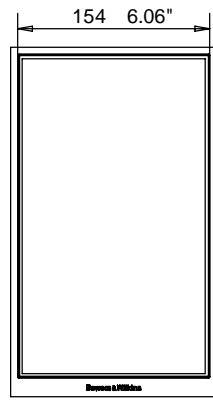


GRILLE OFF



GRILLE ON



DIMENSIONS IN mm	
TOLERANCES	
0.	± 0.5
0.0	± 0.3
0.00	± 0.1
ANGLES ± 0.5°	
UNLESS OTHERWISE STATED	

MATERIAL	
FINISH	

3	LOGO SIZE ON CABINET CHANGED	10.8.05			
2	REDRAWN	11.7.05			
ISS	AMENDMENT	ECN NO.	DATE	APPROVAL	
TITLE					
CM1 LINE DRAWING					

COPYRIGHT © 2005		PART NO.
DRAWN KW	DATE 29.3.05	FP15139
CHECKED / APPROVED		DRG. NO.
SCALE NTS		A7351-1-1
FULL DRG SIZE A3		ISS