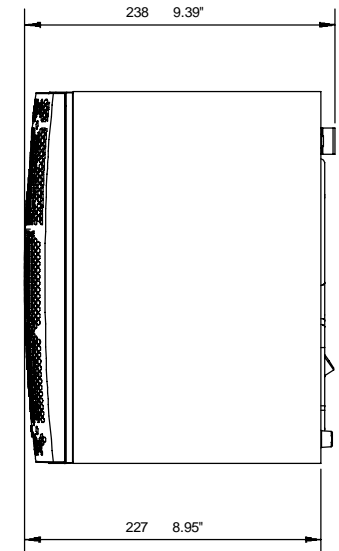
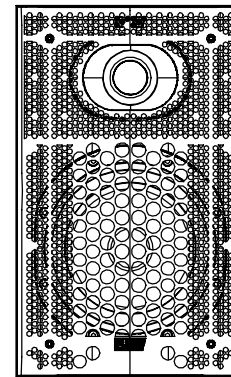
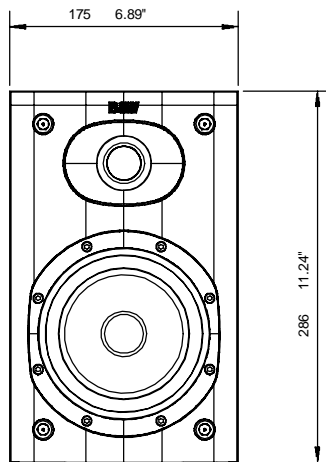
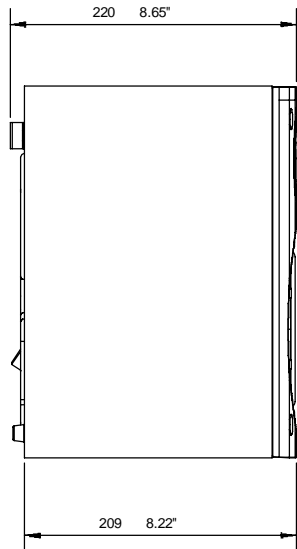


5-ISOMETRIC SCALE 1:8



DO NOT SCALE



DIMENSIONS IN mm	
TOLERANCES	
0.	± 0.5
0.0	± 0.3
0.00	± 0.1
ANGLES ± 0.5°	
UNLESS OTHERWISE STATED	

MATERIAL	NA
FINISH	NA

2	DIMENSIONS IN INCHES ADDED	ECR2059	14/02/06		
ISS	AMENDMENT	ECN NO.	DATE	APPROVAL	
TITLE					
DM600 S3 LINE DRAWING					

COPYRIGHT © 2005	
DRAWN GMP	DATE 22-6-05
CHECKED / APPROVED	
SCALE	1:4
FULL DRG SIZE	A3

PART NO.	FP13293
DRG. NO.	A7472-1-1
ISS	(2)