

# B&W

Bowers & Wilkins

TITLE

DS3 LINE DRAWING

DRG. NO.

A8425-1-1

ISS

1

PART NO.

FP26786/FP26794

COPYRIGHT

© 2007

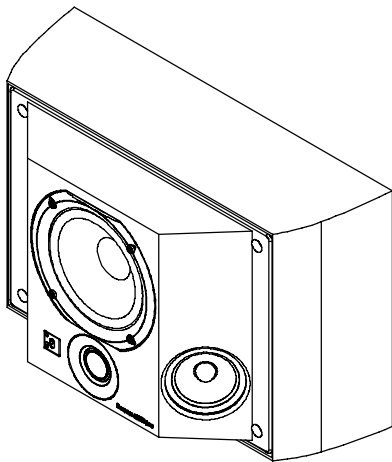
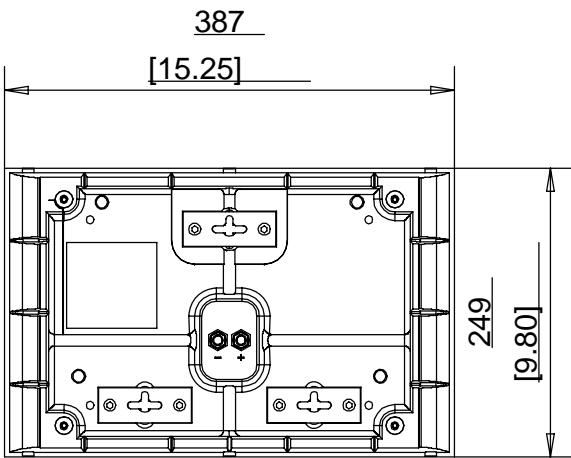
DATE

19.1.07

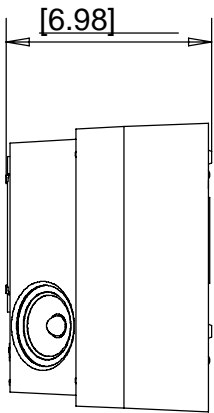
DRAWN

RM

GRILLE OFF

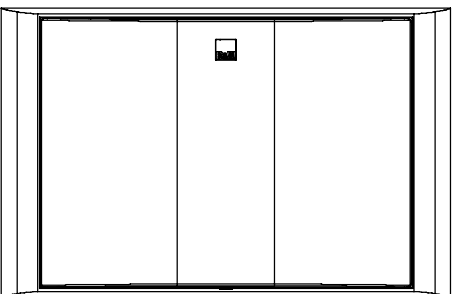
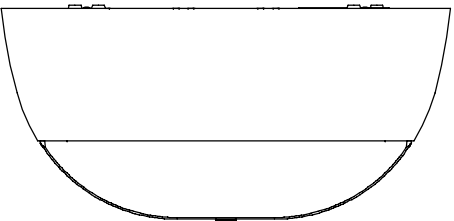
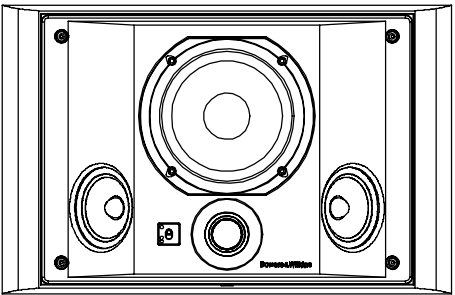
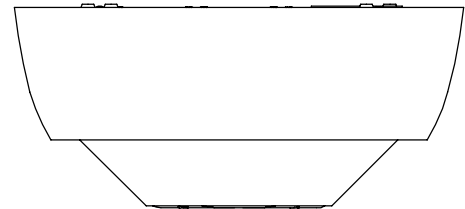
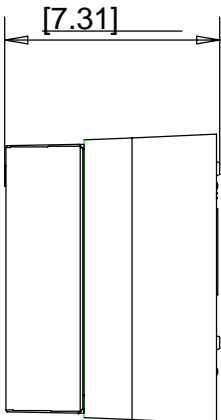


177



GRILLE ON

186



ISSUE

AMENDMENT

ECN No.

DATE

APPROVAL