



Bowers & Wilkins

TITLE

705 STAND LINE DRAWING

DRG. NO.

A6106-1-1

ISS

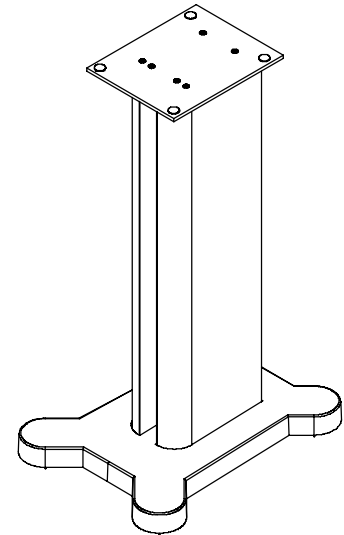
2

COPYRIGHT © 2003

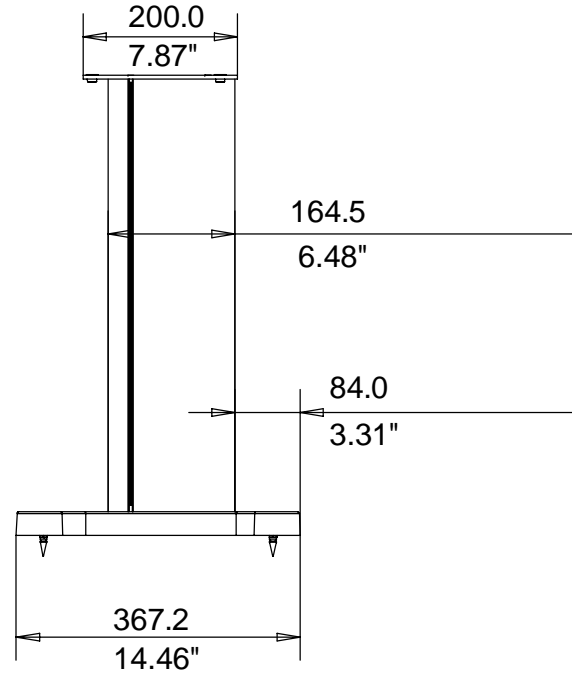
DATE 04:08:03

DRAWN KW

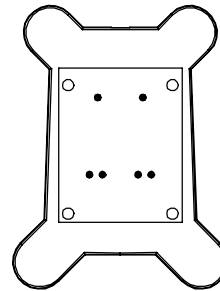
PART NO. FP17001



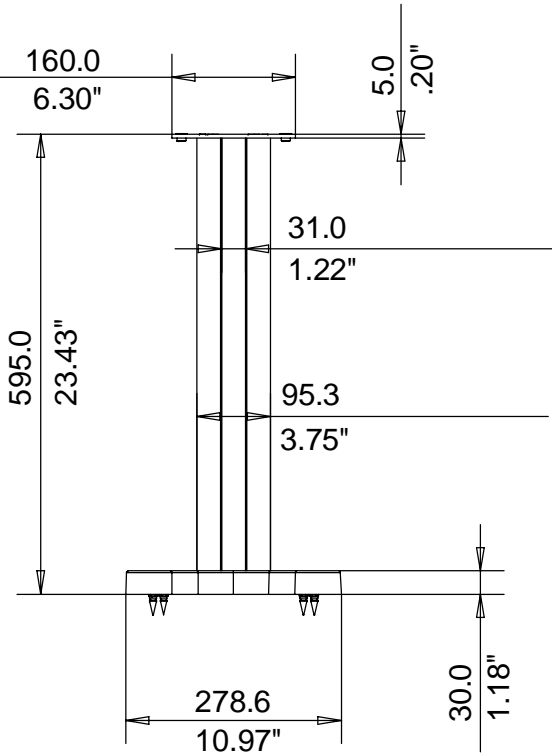
4-ISOMETRIC



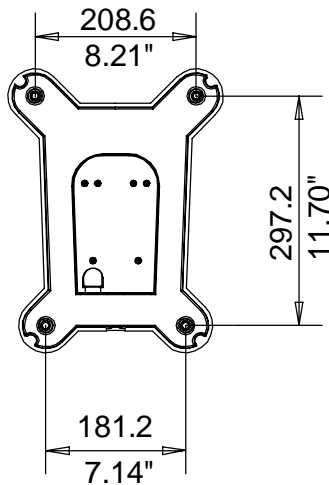
3-RIGHT



6-TOP



2-FRONT



5-BOTTOM

ISSUE	3	INCH DIMENSIONS ADDED	AMENDMENT	ECR2059	ECN No.	28/3/06	DATE	MG	APPROVAL
-------	---	-----------------------	-----------	---------	---------	---------	------	----	----------