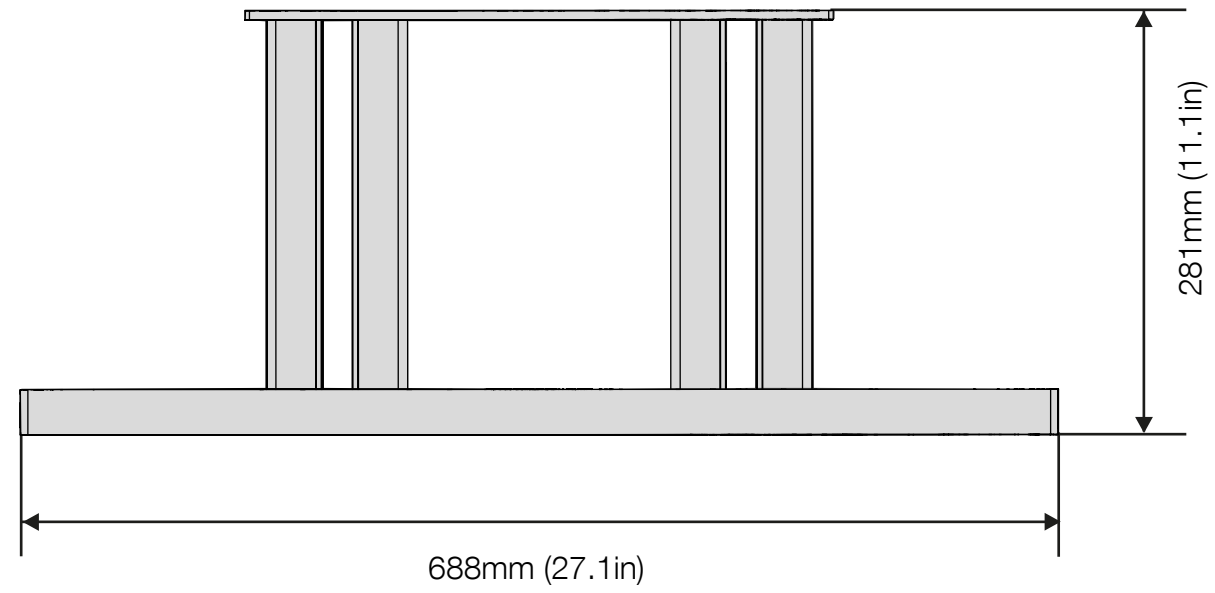


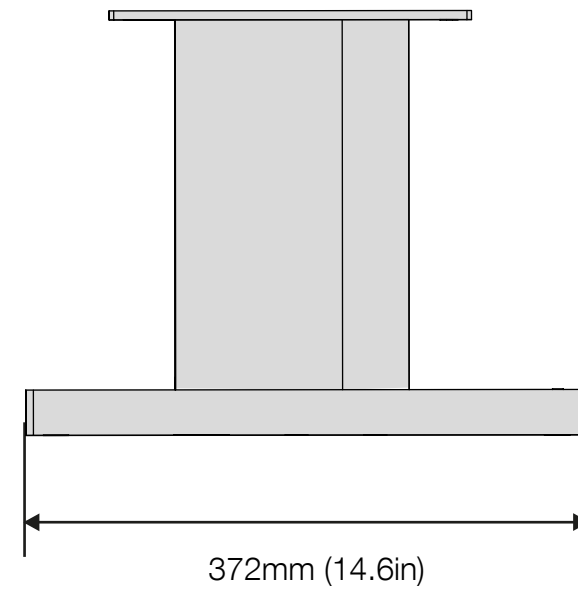
# Bowers & Wilkins

# FS-HTM D3

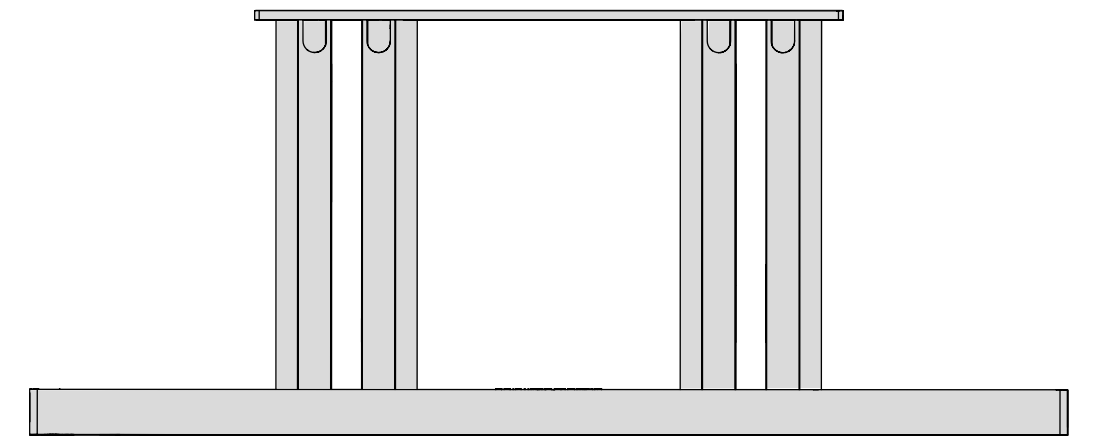
FRONT



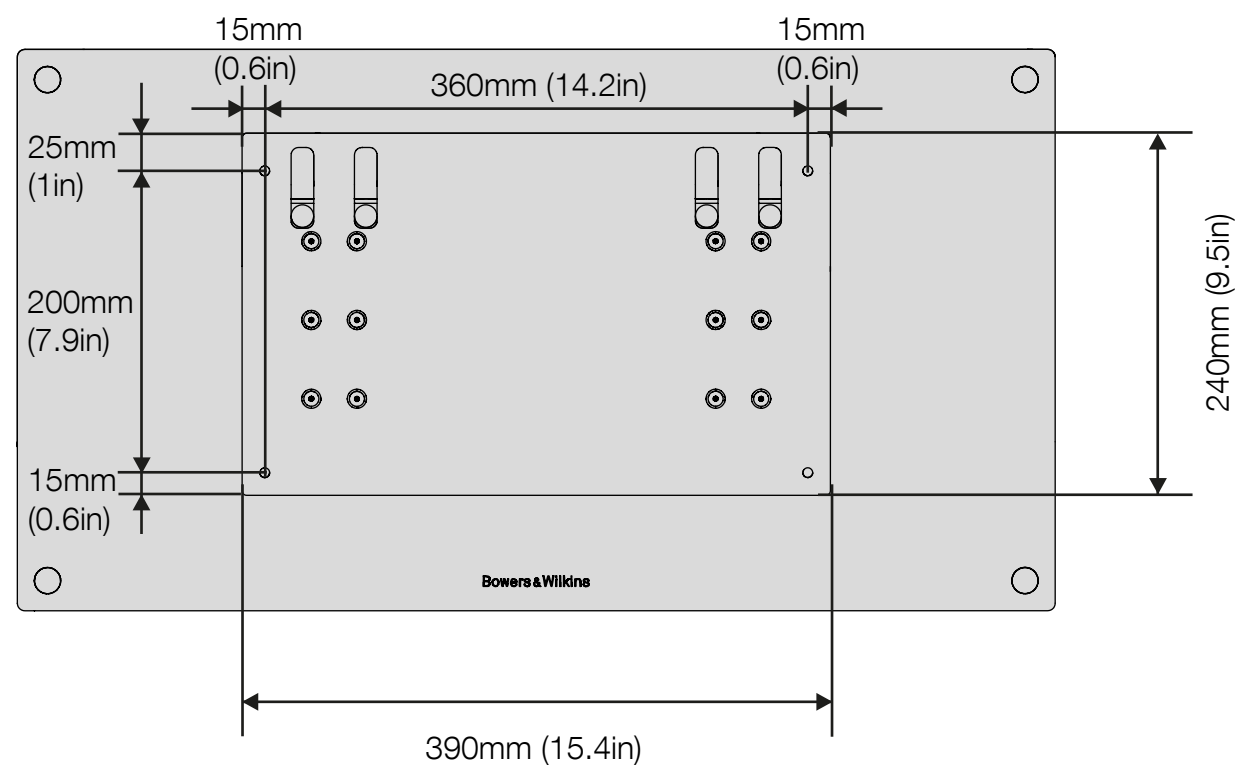
SIDE



BACK



TOP



BASE

