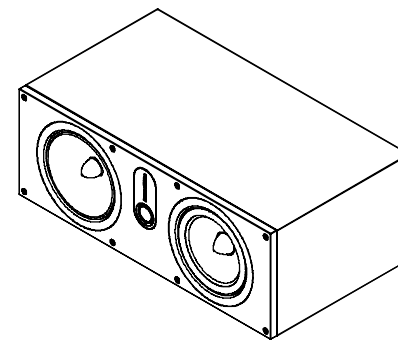
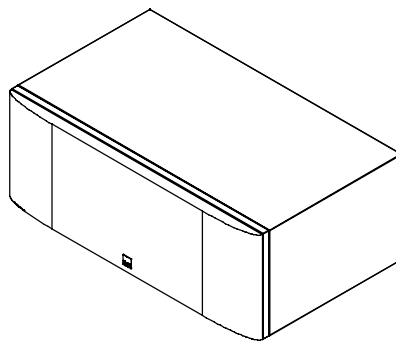
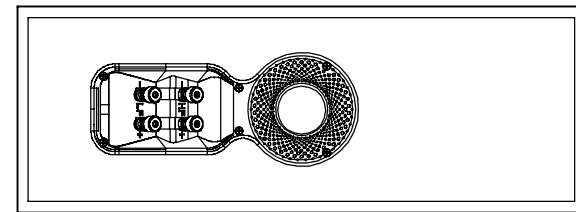
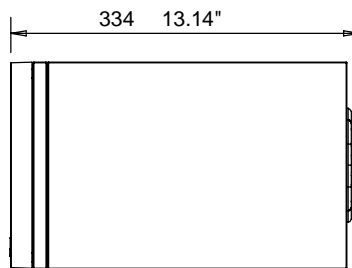




GRILLE OFF



ALL COMPONENTS MUST BE RoHS COMPLIANT

 DO NOT SCALE  Bowers & Wilkins	DIMENSIONS IN mm	MATERIAL
	TOLERANCES	FINISH
	0. ± 0.5	
	0.0 ± 0.3	
	0.00 ± 0.1	
ANGLES ± 0.5°		
UNLESS OTHERWISE STATED		

ISS	AMENDMENT	ECN NO.	DATE	APPROVAL
TITLE				
HTM61 LINE DRAWING				

COPYRIGHT © 2007		PART NO.
DRAWN MCC	DATE 15-2-07	FP26700
CHECKED / APPROVED		DRG. NO.
SCALE NTS	FULL DRG SIZE A3	A8482-1-1
		ISS
		①