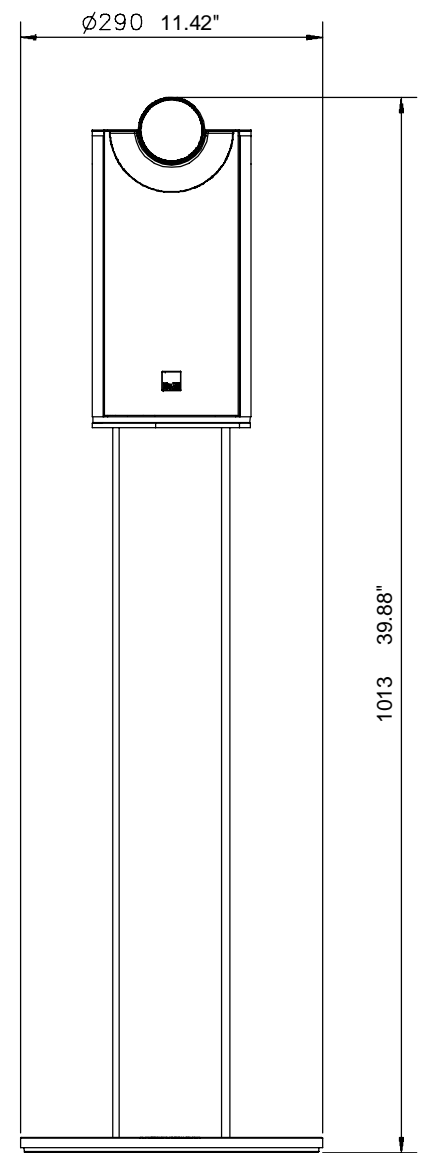
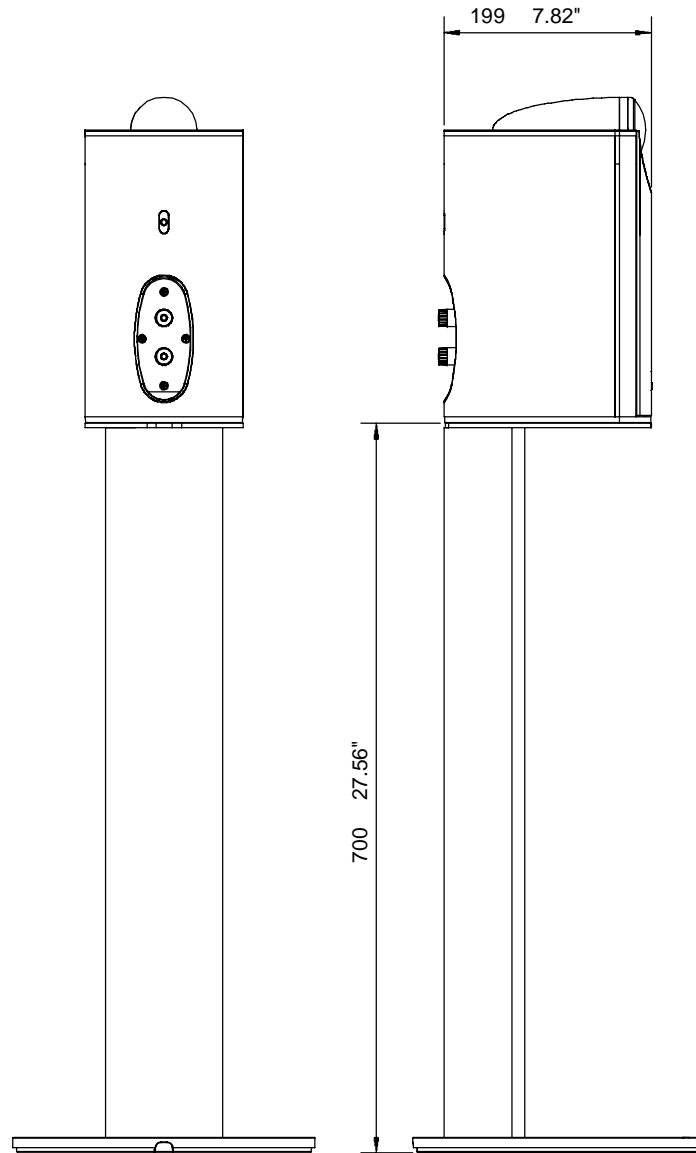


BRACKET



STAND

<p>DO NOT SCALE</p> <p>B&W</p> <p>Bowers & Wilkins</p>	<p>DIMENSIONS IN mm</p> <p>TOLERANCES</p> <p>0. ± 0.5</p> <p>0.0 ± 0.3</p> <p>0.00 ± 0.1</p> <p>ANGLES ± 0.5°</p> <p>UNLESS OTHERWISE STATED</p>	<p>MATERIAL</p> <p>N/A</p>	<p>ISS</p> <p>3</p> <p>2</p> <p>ISS</p> <p>TITLE</p>	<p>ECR2059</p> <p>7.6.05</p> <p>AMENDMENT</p> <p>ECN NO. DATE APPROVAL</p>	<p>14.02.06</p> <p>7.6.05</p> <p>APPROVAL</p>	<p>COPYRIGHT © 2005</p> <p>DRAWN GMP DATE 10-5-05</p> <p>CHECKED / APPROVED</p> <p>SCALE 1:4</p> <p>FULL DRG SIZE A3</p>	<p>PART NO.</p> <p>FP23914</p> <p>DRG. NO. A7424-1-1</p> <p>ISS</p>
		<p>FINISH</p> <p>N/A</p>					

XT2 STAND AND BRACKET LINE DRAWING