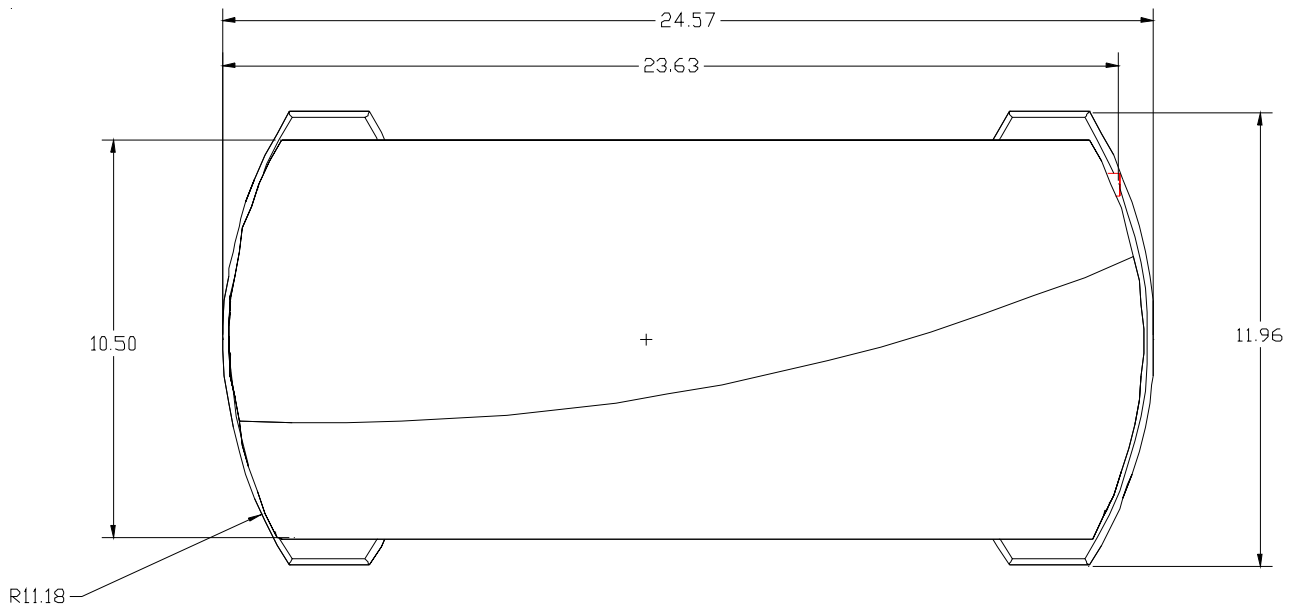


# Dimensions



*(all dimensions are in inches)*

