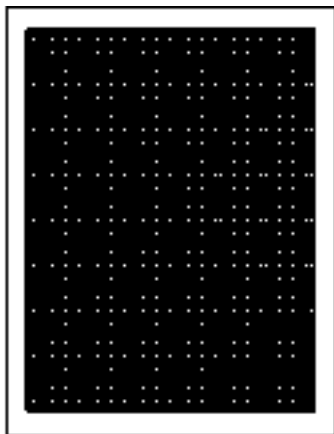


AWM65/70

SPEAKER INSTALLATION NOTES



L I S T E N A N D Y O U ' L L S E E

AWM65/70

Speaker Installation Notes

THESE NOTES MUST BE READ IN CONJUNCTION WITH THE CASA INSTALLATION MANUAL.

Unpacking

Check the contents:

- 2 x Baffle with drive units and on-board amplifiers
- 2 x Speaker grille scrims
- 8 x Machine screws

Damping the wall cavity

A foam pad is supplied to damp the area behind the drive units. In addition, loosely fill the whole section of the wall cavity with wadding. In order to ensure proper cooling of the loudspeaker allow a 3 inch air gap above the frame's top edge. Fibreglass and mineral wool matting supplied for heat insulation are suitable, but not closed cell foam or expanded polystyrene.

Check that there is no debris that may fall into the speaker (especially in ceiling mount situations).

IMPORTANT: YOU SHOULD CHECK THAT THE MATERIALS YOU USE MEET THE LOCAL FIRE AND BUILDING REGULATIONS.

Fitting (Figure 1)

Note: The assembly should be installed with the tweeter at the bottom – The speaker is tuned to work best in this orientation.

Offer up the baffle assembly to the frame and attach the cables as described in the CASA Installation Manual. To avoid rattles, tie down loose cable near the speaker with clips, mastic or tape.

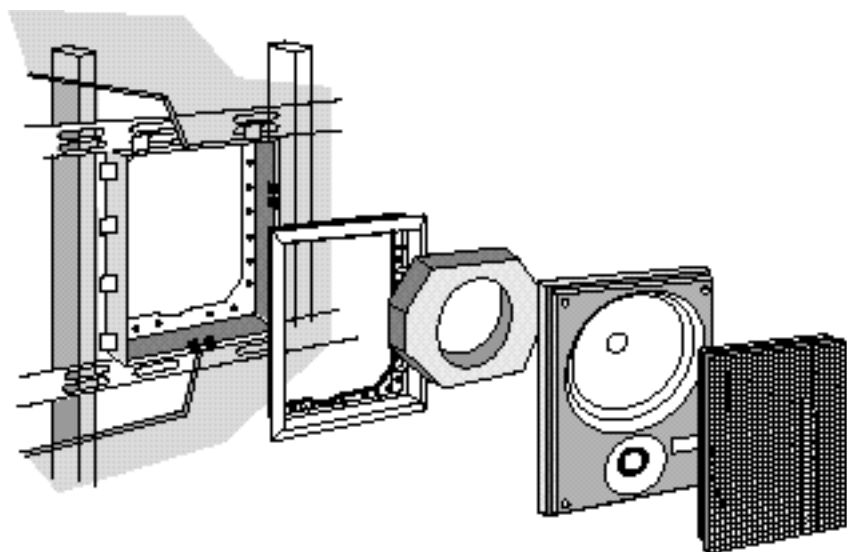
Feed the baffle assembly into the frame and using the screws provided (4 – one in each corner) secure it to the wall frame. Before fitting the grille, check the operation of all the loudspeakers in the installation. Remove the protective covers from the tweeters domes. When you are satisfied that the installation is performing correctly, lay a scrim into each grille and push all the grilles into the wall frames. Avoid touching the drive units, especially the tweeter, as damage may result.

Customising

If the grille is to be re-finished remove the Infra-Red "eye" by removing the rubber retaining ring – refit before fitting the grille.

Decorate before the baffle is fitted. Do not paint the baffle or drive unit area. It should be removed if the frame/grille is to be re-decorated at a later date.

Figure 1



B&W Loudspeakers Ltd. reserves the right to amend details of the specification without notice in line with technical developments. Copyright © B&W Loudspeakers Ltd. Printed in England. B&W Loudspeakers Ltd, Meadow Road, Worthing, BN11 2RX, England Tel: +44 (0) 1903 524801 Fax: +44 (0) 1903 524725 B&W Loudspeakers of America, 54 Concord Street, North Reading, MA 01864-2699, USA Tel: (1978) 664 2870 Fax: (1978) 664 4109 <http://www.bwspeakers.com>



L I S T E N A N D Y O U ' L L S E E