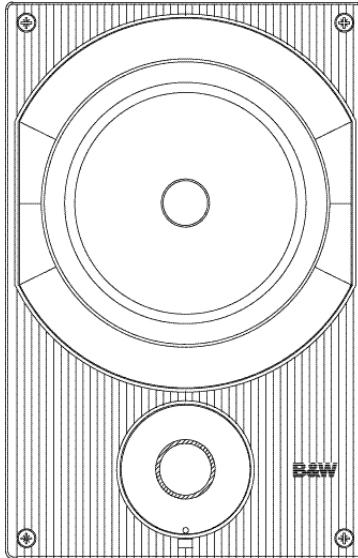


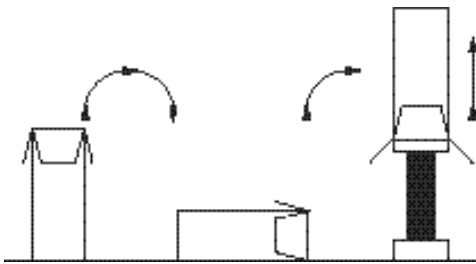
Casa™/Custom Installation Series

AWM™ 650
Speaker installation notes



SYSTEM AND VOLUME CUE

Figure 1



Fig

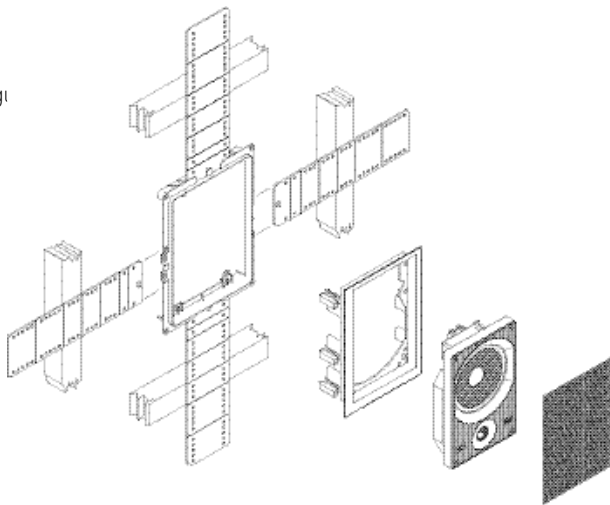
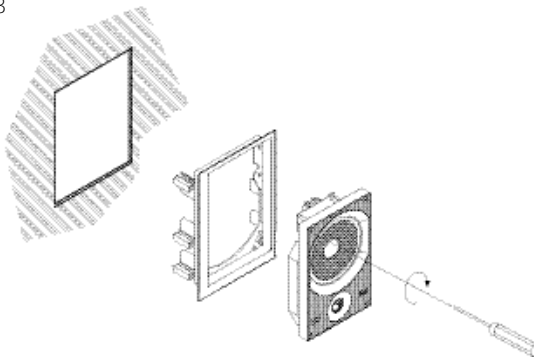


Figure 3



THESE NOTES MUST BE READ IN CONJUNCTION WITH THE CASA INSTALLATION MANUAL. A FULL COPY OF WHICH IS AVAILABLE AT

<http://www.clarity.bwspeakers.com>

UNPACKING

(Figure 1)

- Fold the top carton flaps right back and invert the carton and contents.
- Lift the carton clear of the contents.
- Remove the inner packing from the product.

Check the contents for:

- 2 x Baffle with drive units and on-board amplifiers
- 2 x Speaker grille scrims
- 8 x Machine screws (for fixing baffles to wall frame)

We suggest you retain the packaging for future use. Remove the grilles from the frames and, to avoid damage, keep them in their plastic bags (and preferably in the carton) away from the work area until you are ready to fit them.

DAMPING THE CAVITY

A foam pad is supplied to damp the area behind the drive units. In addition, loosely fill the whole section of the wall cavity with wadding.

Fibreglass and mineral wool matting supplied for heat insulation are suitable, but not closed cell foam or expanded polystyrene. Check that there is no debris that may fall into the speaker.

IMPORTANT: YOU SHOULD CHECK THAT THE INSTALLATION ITSELF AND THE MATERIALS YOU USE MEET THE LOCAL FIRE AND BUILDING REGULATIONS.

FITTING THE SPEAKER

(Figure 2 & 3)

Note: The assembly should be installed with the tweeter at the bottom.

Offer up the baffle assembly to the frame and attach the cables as described in the CASA installation manual. To avoid rattles, tie down loose cable near the speaker with clips, mastic or tape.

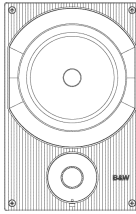
Feed the baffle assembly into the frame and using the screws provided (4 – one in each corner) secure it to the wall frame. Before fitting the grille, check the operation of all the loudspeakers in the installation. Remove the protective covers from the tweeters domes. When you are satisfied that the installation is performing correctly, lay a scrim into each grille and push all the grilles into the wall frames.

CUSTOMISING

The frame and grille have paintable white semi-matte finish, ready if necessary to be re-finished to match your own decor. Decorate before the baffle is fitted.

If the grille is to be re-finished remove the infra-Red "eye" by removing the rubber retaining ring - refit before fitting the grille.

Do not paint the baffle or drive unit area it should be removed if the frame/grille is to be re-decorated at a later date.



AWM™ 650

Description	2-way active wall mount speaker system
Drive units	1 x 150mm (6in) Kevlar bass/mid unit with cast basket 1 x 25mm (1in) Aluminium dome HF equipped with Nautilus™ tube
Amplifier power	2 x 50W
Frequency range	-6dB at 42Hz and 30KHz
Frequency response	47Hz - 20kHz ±3dB
Crossover frequency	3.5kHz
Input	Balanced, 5VRMS sensitivity, 500k impedance
Frame size	Height: 309mm (12 ¹ / ₈ in) Width: 216 (8 ¹ / ₂ in)
Cut-out size without pre-mount	Height: 281mm (11in) Width: 186mm (7 ³ / ₈ in)
Cut-out size with pre-mount	Height: 289mm (11 ³ / ₈ in) Width: 193mm (7 ⁵ / ₈ in)
Min depth required	99mm (3 ⁷ / ₈ in) from wall surface
Net weight	2.5kg
Standby power	+/- 24V active, +/- 12V passive <2W in standby



LISTEN AND YOU'LL SEE

Kevlar is a registered trademark of DuPont. E & OE.

B&W Loudspeakers Ltd. reserves the right to amend details of the specification without notice in line with technical developments.
Copyright © B&W Loudspeakers Ltd. Printed in England.

B&W Loudspeakers Ltd, Meadow Road, Worthing, BN11 2RX Tel: +44 (0) 1903 524801 Fax: +44 (0) 1903 524725
B&W Loudspeakers of America, 54 Concord Street, North Reading, MA 01864-2699, USA
Tel: (1978) 664 2870 Fax: (1978) 664 4109
<http://www.bwspeakers.com>