

M

A

MODULAR  
AUTOMOBILE  
SOUND  
SYSTEM

BR1 Bridge Mounting

FITTING INSTRUCTIONS



S

S

The bridge mounting has been designed so that a complete MASS system can be pre-wired and then fitted to, or in place of, a rear parcel shelf in saloons or hatchbacks. The extrusion is supplied in 1.5m (59in) lengths of natural aluminium for finishing to match your vehicle's trim as required.

*See the MASS brochure for the complete range of system options.*

## Fitting

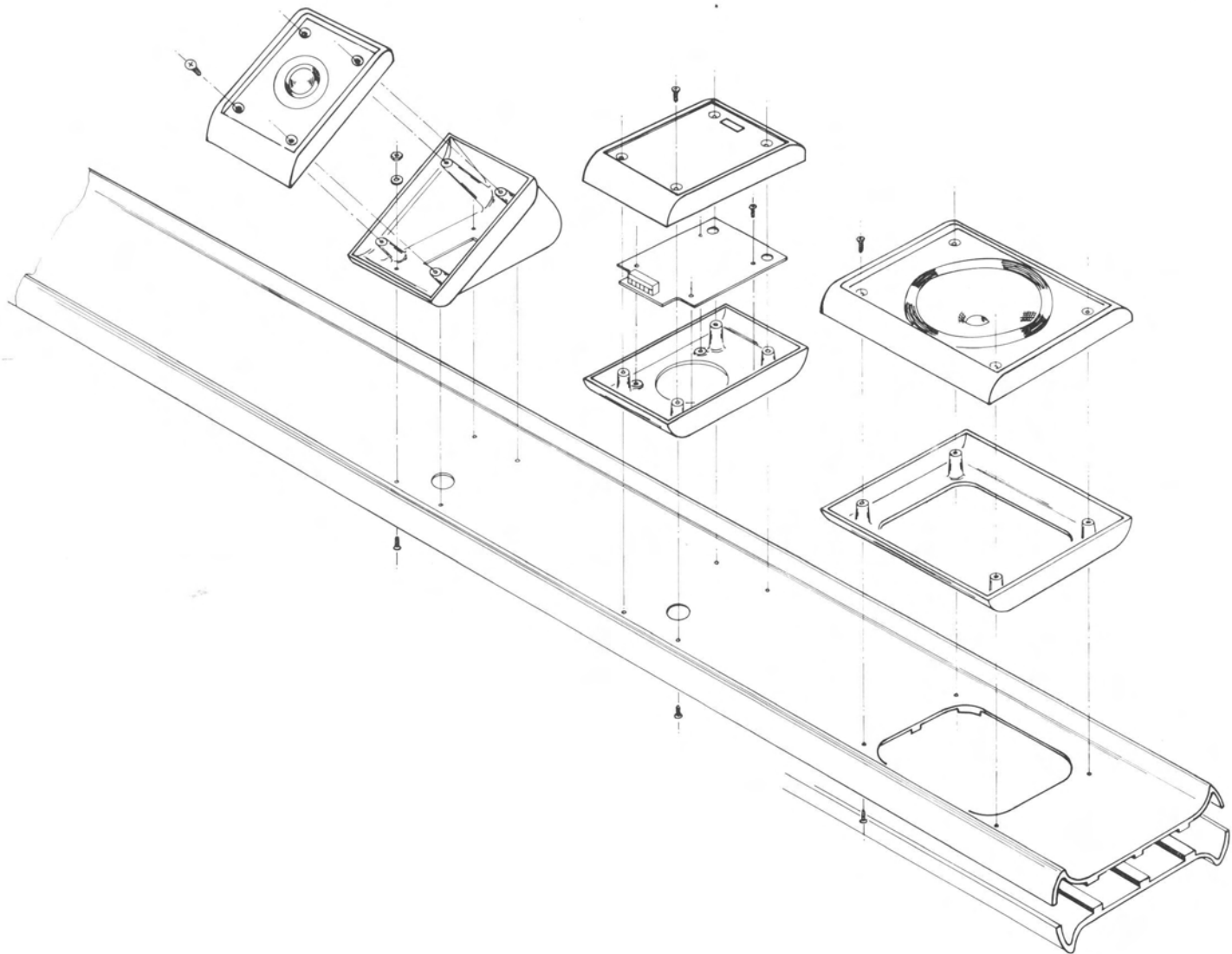
- 1 First check your vehicle carefully to determine the most suitable mounting for the extrusion, bearing in mind that clearance holes in a parcel shelf will be required for the LM50 drive units. Make sure that the extrusion ends fit snugly to the inside contour of the vehicle.
- 2 Place the bottom half of the MASS modules to be fitted in the desired positions and use it as a template for marking the fixing holes.
- 3 In the case of LM50, LX30 and LT30 in standard form, use the four fixing holes already provided in the bottom half of the module. In the case of the LP10/LP30 angled plinths, two alternative angles are possible and fixing holes are provided for each of these.

**Note** With the angled plinths M4 nuts and screws are used, while

the other modules use No.6 self-tapping screws. Fixing holes should also be made to bolt the bridge to a parcel shelf.

- 4 Clearance holes for the LM50 modules should be made at this stage, and it is important acoustically that these are *the same size* as the aperture in the bottom half of the LM50 module. Wiring holes should also be made for the other modules of suitable size to accommodate the connections.
- 5 Finally, finish the bridge in a suitable colour. The complete system can then be wired, referring to the individual instruction manuals and using the underside wiring channels.

*The complete assembly is now ready for fitting to the vehicle.*





B&W LOUDSPEAKERS LTD MEADOW ROAD WORTHING WEST SUSSEX BN11 2RX ENGLAND