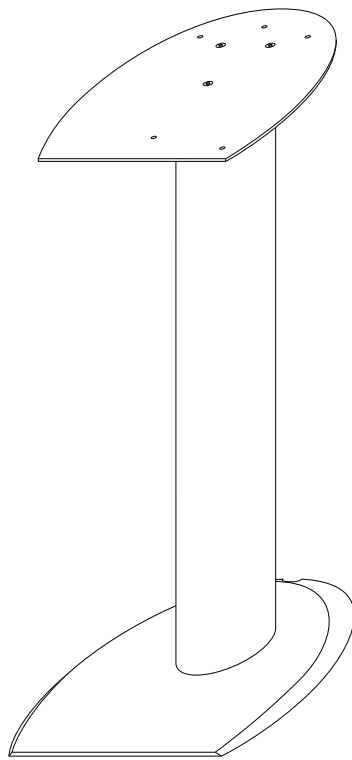


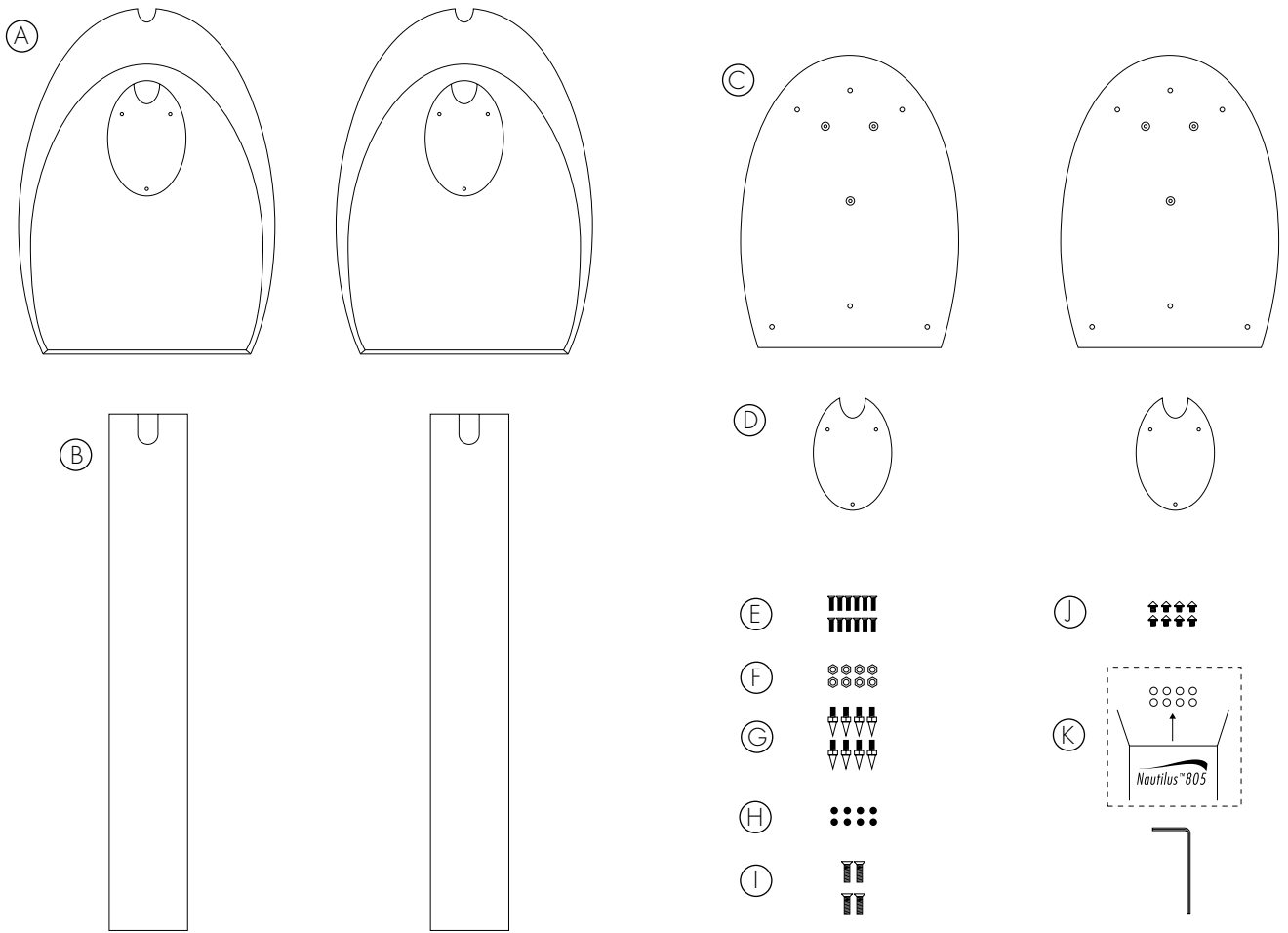


Nautilus™ 800 Series

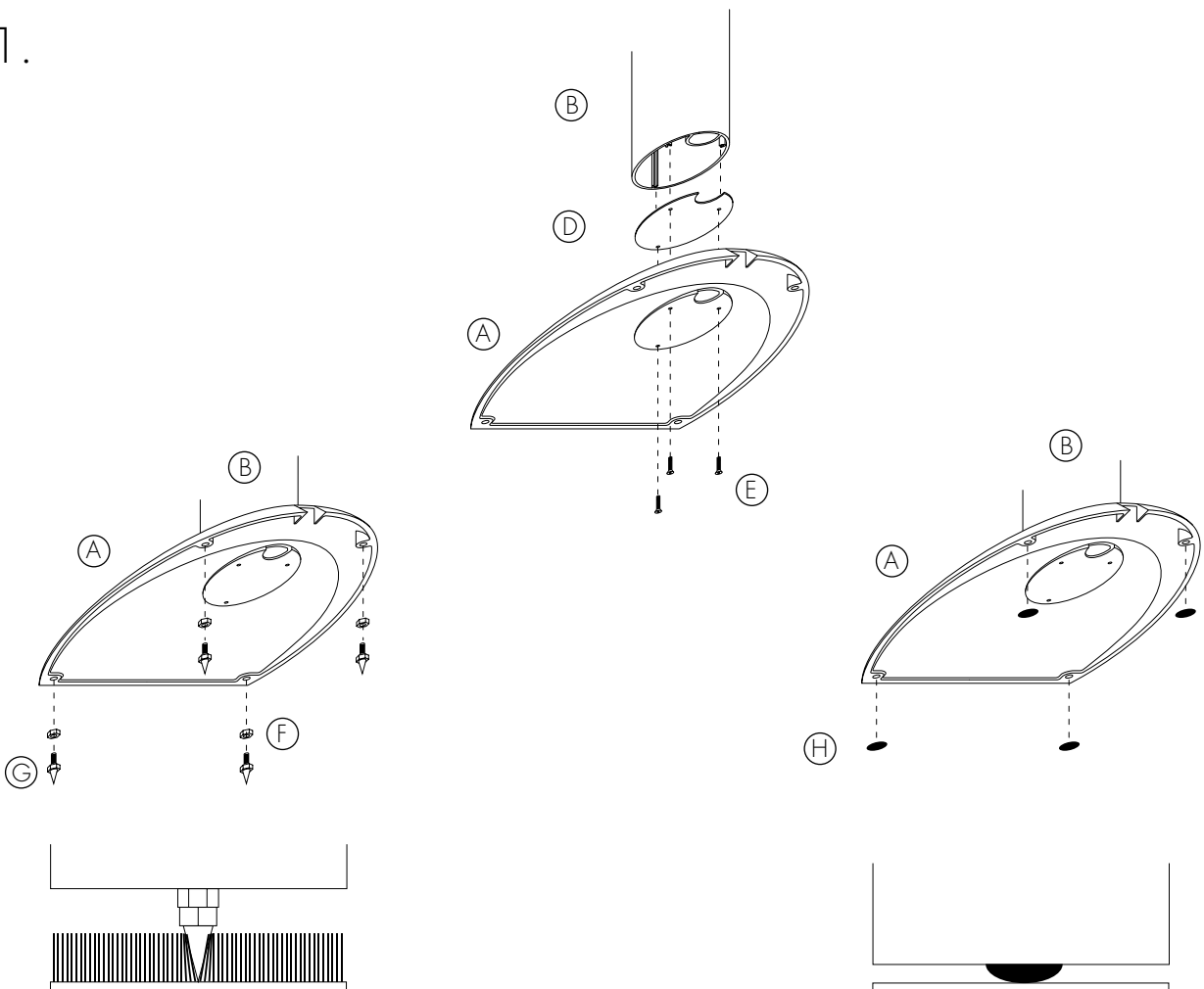
FS-N805 Assembly instructions



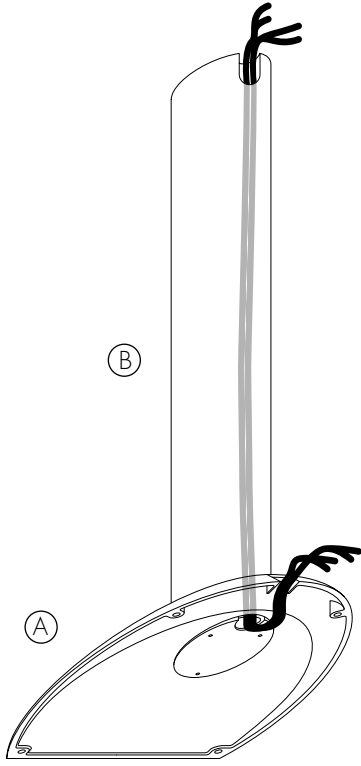
L I S T E N A N D Y O U ' L L S E E



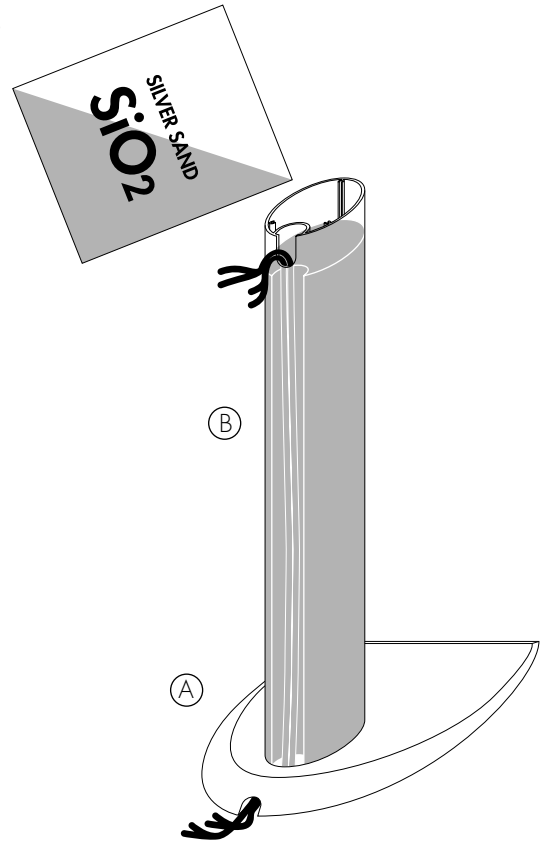
1.



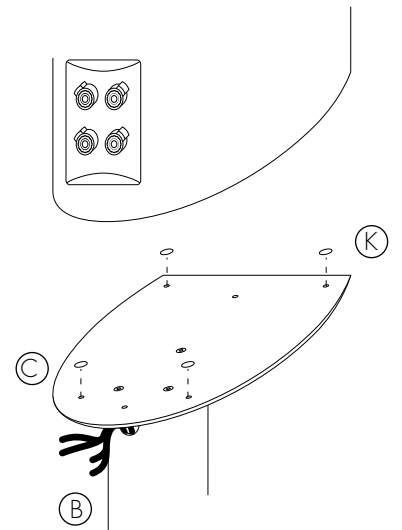
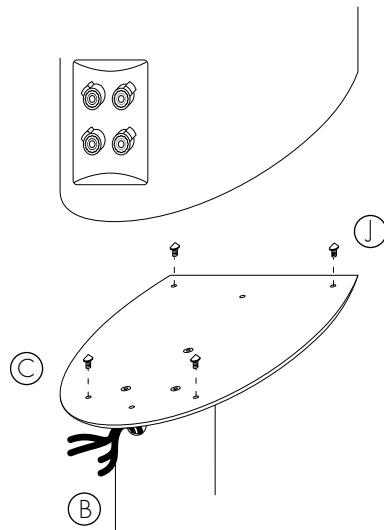
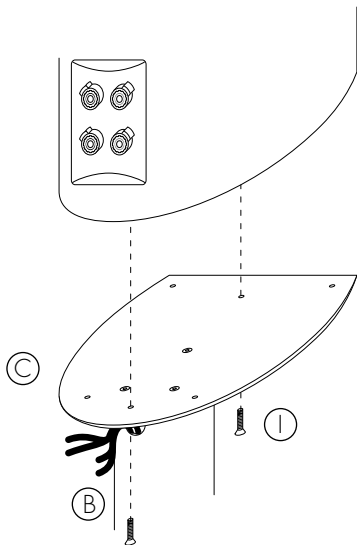
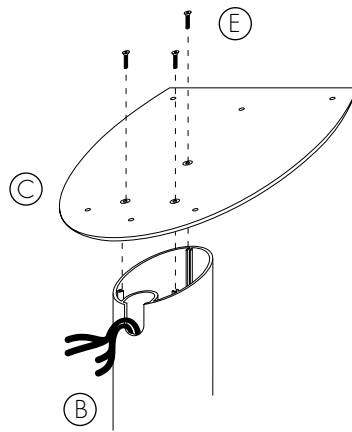
2.



3.



4.





L I S T E N A N D Y O U ' L L S E E

B&W Loudspeakers Ltd. reserves the right to amend details of the specification without notice in line with technical developments.
Copyright © B&W Loudspeakers Ltd. Printed in England.

B&W Loudspeakers Ltd, Meadow Road, Worthing, BN11 2RX England.
Tel: +44 (0) 1903 524801 Fax: +44 (0) 1903 524725 <http://www.bwspeakers.com>