

Introduction

IR repeater systems are commonly designed for use with flashers (A.K.A. IR emitters, micro/mouse flashers, blink-IR).

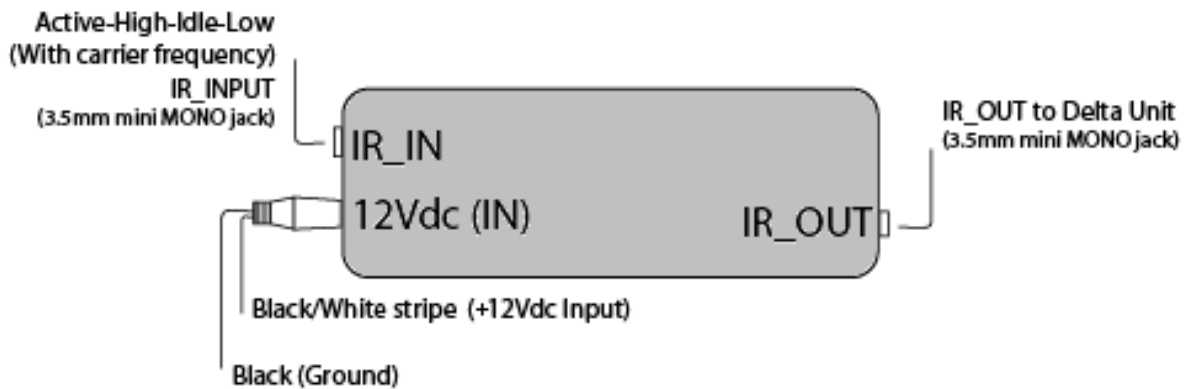
Flashers are placed in front of the equipment to be controlled and require an active-high-idle-low frequency modulated signal.

Classé offers a rear panel hardwired IR connection on all of its Delta series components, for remote IR control.

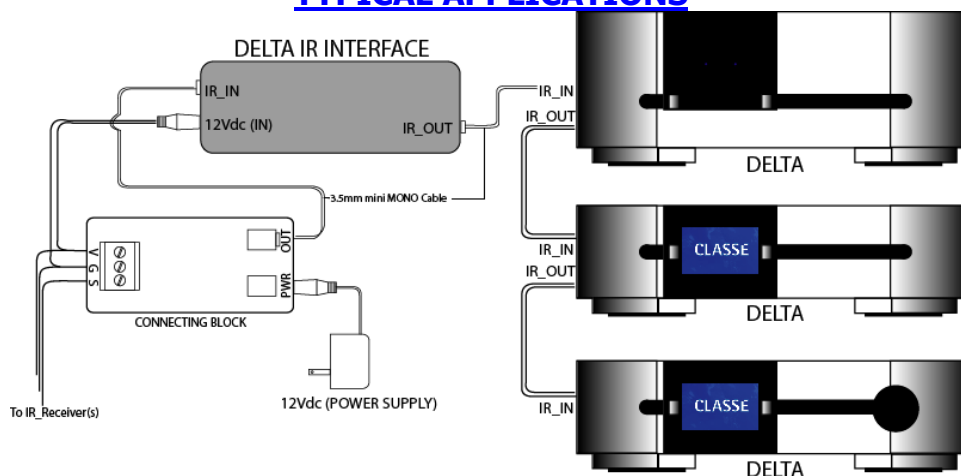
The format of this IR signal must be active-low-idle-high without modulation (carrier stripped).

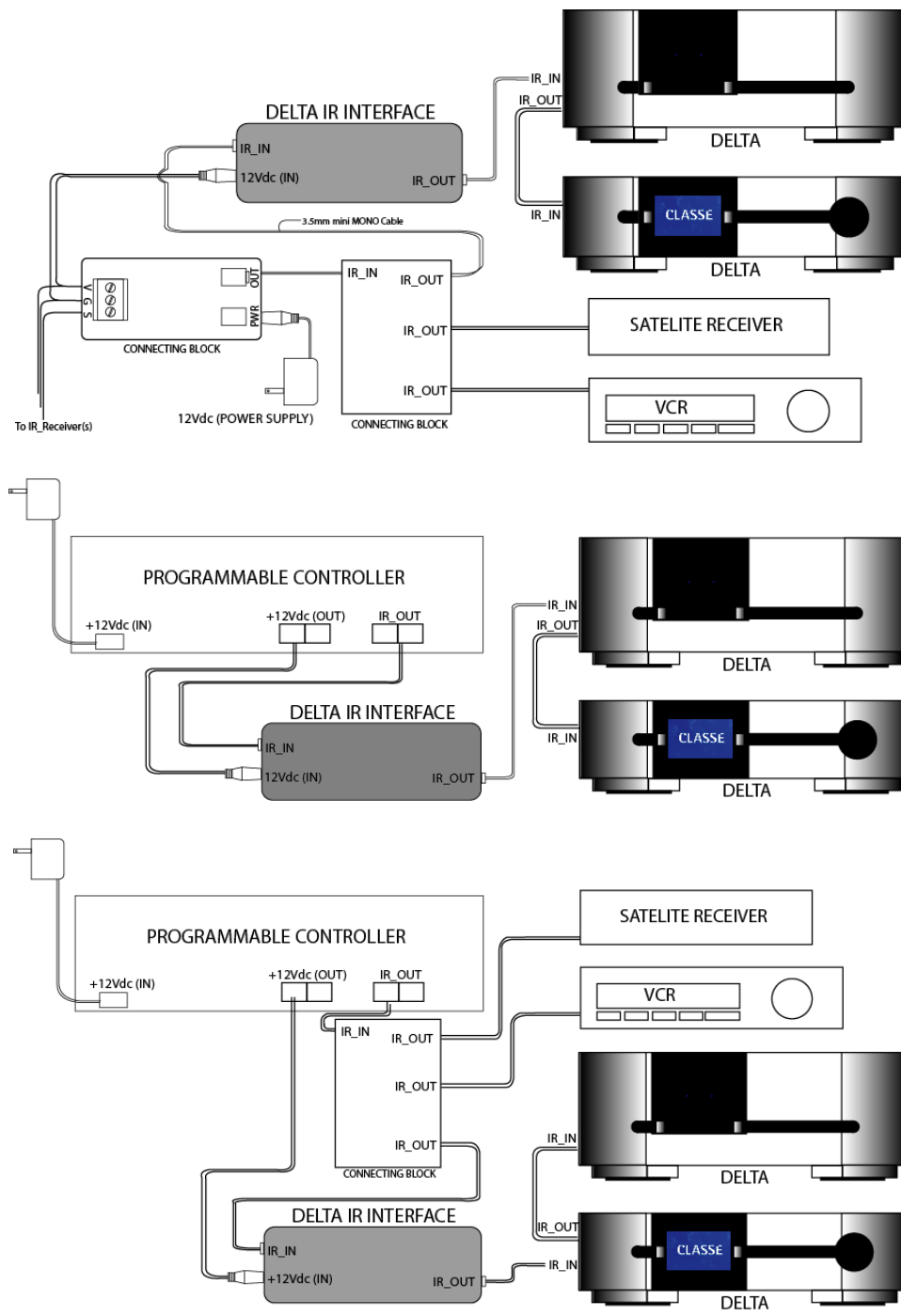
Many IR repeater systems do not yet support an active-low-idle-high carrier stripped signal requirement. To accommodate most third party IR repeater systems, Classé has designed an IR interface box.

DELTA Series IR Interface Connections



TYPICAL APPLICATIONS





TRUBLE SHOOTING

SYMPTOM	POSSIBLE CAUSE	CHECK FOR:
No IR response or sluggish IR response	IR receiver and unit in close proximity	Delta Series units will process both front and rear IR signals – whichever it senses first. Watch for reflections off of white walls.
No IR response or sluggish IR response	Too many components daisy chained.	Check for voltage drops at end of the chain
No IR response or sluggish IR response	Signal saturation	Remote control too close to IR receiver

Consult your IR repeater system instruction manual for other trouble shooting guidelines.