



## See nothing, hear everything

The CCM 50 is a true high quality ceiling-mount speaker which is ideal for small systems where space is limited. The Ultra-12 tweeter features low diffraction effect dome protection. Ensuring clear high frequencies and a treble contour switch to cut or boost the high frequencies. The frame incorporates "Swing Out Dogs" for effortless installation.

## Technical Specification

<b>Technical features</b>	<b>Ultra-12 tweeter</b> <b>Woven Kevlar® cone mid/bass</b> <b>Swing-out dog fixings</b>
<b>Description</b>	2-way in-ceiling speaker system
<b>Drive units</b>	1x ø25mm (1 in) Ultra-12 tweeter 1x ø130mm (5 in) woven Kevlar® cone mid/bass
<b>Frequency range</b>	-6dB at 50Hz and 22kHz
<b>Frequency response</b>	55Hz-20kHz ±3dB on reference axis
<b>Sensitivity</b>	88dB spl (2.83V, 1m)
<b>Nominal impedance</b>	8Ω (minimum 3.0Ω)
<b>Crossover frequency</b>	3.5kHz
<b>Recommended amplifier power</b>	20W - 100W continuous into 8Ω on unclipped programme
<b>Frame size</b>	Diameter: 201mm (7.9 in)
<b>Cut-out size</b>	Diameter: 175mm (6.9 in)
<b>Min depth req</b>	80mm (3.1 in) from ceiling surface
<b>Net weight</b>	1.5kg (3.4lb)
<b>Finish</b>	Semi-matt white suitable for customising or pre-painting (paint mask included)
<b>Accessories</b>	Pre-mount kit for new construction (PMK c50) Back Box - none available



# CCM 50

## Architectural and Engineering Specifications

The loudspeaker system shall be of the mono-amped 2-way type comprising of a single flush mountable circular enclosure containing one 5in bass-mid driver with Kevlar cone and one adjustable tilt, 1in Ultra 12 tweeter.

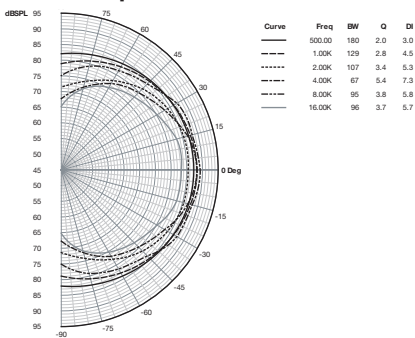
Performance specifications of a typical production unit shall meet or exceed the following:

Frequency response shall be 55 – 20kHz  $\pm$  3dB. Nominal impedance shall be 8 Ohm. Total power handling shall be 100W continuous into 8 Ohm on unclipped programme. Sensitivity measured with 2.83V at 1-metre distance on axis, mean averaged between 55 – 22kHz shall be 88dB.

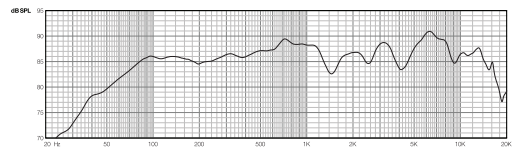
External dimensions shall be 201mm (7.9in) diameter x 80mm (3.1in) depth. Total weight shall be 1.5kg (3.4lb).

The loudspeaker system shall be the B&W CCM 50. No other system shall be acceptable unless the above combined performance are equalled or exceeded.

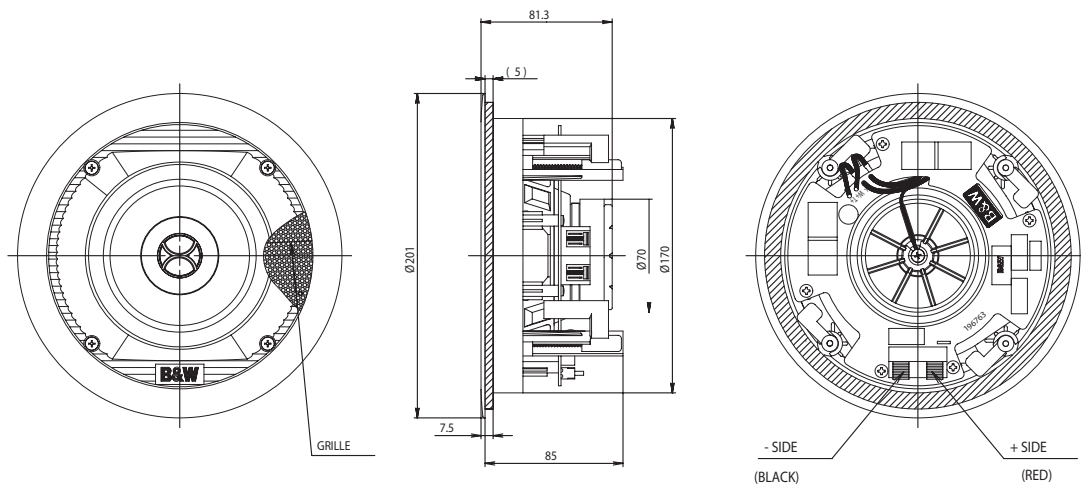
### Polar Response



### Frequency Response



### Dimensions



## B&W Bowers & Wilkins

B&W Group Ltd  
Dale Road  
Worthing West Sussex  
BN11 2BH England

T +44 (0) 1903 221800  
F +44 (0) 1903 221801  
info@bwgroup.com  
www.bwspeakers.com

B&W Group (UK Sales)  
T +44 1903 221 500  
E uksales@bwgroup.com

B&W Group North America  
T +1 978 664 2870  
E marketing@bwgroupusa.com

B&W Group Asia Ltd  
T +852 2 869 9916  
E showroom@bwgroup.hk

Copyright © B&W Group Ltd. E & OE.

B&W Group Ltd reserves the right to amend details of the specifications without notice in line with technical developments.