



See nothing, hear everything

The CCM 80 is a true high performance ceiling-mount speaker. The tweeter has a 1in metal dome tweeter and a treble contour switch to cut or boost the high frequencies. The frame incorporates “Swing Out Dogs” for effortless installation. The tweeter housing pivots for adjustable off-axis treble response.

Technical Specification

Technical features	Three-position treble contour switch Adjustable tilt tweeter Swing-out dog fixings
Description	2-way in-ceiling speaker system
Drive units	1x ø25mm (1 in) aluminium dome tweeter 1x ø200mm (8 in) woven Kevlar® cone mid/bass
Frequency range	-6dB at 35Hz and 30kHz
Frequency response	40Hz-20kHz ±3dB on reference axis
Sensitivity	90dB spl (2.83V, 1m)
Nominal impedance	8Ω (minimum 3.0Ω)
Crossover frequency	3.5kHz
Recommended amplifier power	20W - 150W continuous into 8Ω on unclipped programme
Frame size	Diameter: 280mm (11 in)
Cut-out size	Diameter: 254mm (10 in)
Min depth req	100mm (4.0 in) from ceiling surface
Net weight	2.2kg (4.8lb)
Finish	Semi-matt white suitable for customising or pre-painting (paint mask included)
Accessories	Pre-mount kit for new construction (PMK c80) Back Box (BB C8)



CCM 80

Architectural and Engineering Specifications

The loudspeaker system shall be of the mono-amped 2-way type comprising of a single flush mountable circular enclosure containing one 8in bass-mid driver with woven glass fibre cone and one adjustable tilt, 1in aluminium dome tweeter.

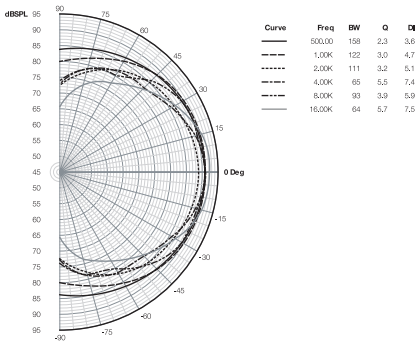
Performance specifications of a typical production unit shall meet or exceed the following:

Frequency response shall be 40 – 20kHz \pm 3dB. Nominal impedance shall be 8 Ohm. Total power handling shall be 150W continuous into 8 Ohm on unclipped programme. Sensitivity measured with 2.83V at 1-metre distance on axis, mean averaged between 40 – 20kHz shall be 90dB.

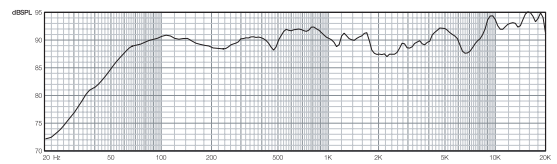
External dimensions shall be 280mm (11in) diameter x 104mm (4.1in) depth. Total weight shall be 2.2kg (4.8lb).

The loudspeaker system shall be the B&W CCM 80. No other system shall be acceptable unless the above combined performance are equalled or exceeded.

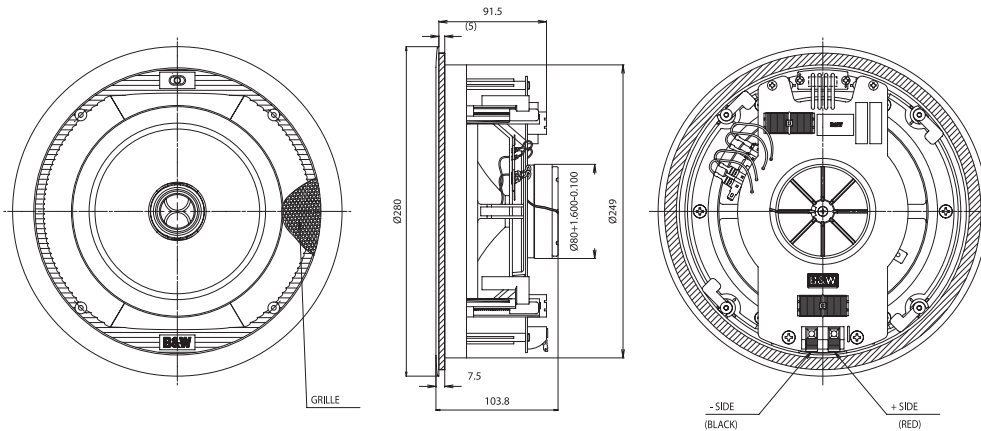
Polar Response



Frequency Response



Dimensions



B&W Bowers & Wilkins

B&W Group Ltd
Dale Road
Worthing West Sussex
BN11 2BH England

T +44 (0) 1903 221800
F +44 (0) 1903 221801
info@bwgroup.com
www.bwspeakers.com

B&W Group (UK Sales)
T +44 1903 221 500
E uksales@bwgroup.com

B&W Group North America
T +1 978 664 2870
E marketing@bwgroupusa.com

B&W Group Asia Ltd
T +852 2 869 9916
E showroom@bwgroup.hk

Copyright © B&W Group Ltd. E & OE.
B&W Group Ltd reserves the right to amend details of the specifications
without notice in line with technical developments.