



# CWM LCR7

## Architectual and Engineering Specifications

The loudspeaker system shall be of the mono-amped 3 way type comprising of a single flush mountable rectangular enclosure containing three 4in bass drivers with paper/mica cones, one 4in midrange woven Kevlar cone and one 1in tube loaded aluminium dome tweeter.

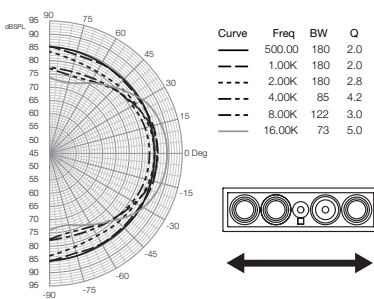
Performance specifications of a typical production unit shall meet or exceed the following:

Frequency response shall be 65 – 30kHz. Nominal impedance shall be 8 Ohm. Total power handling shall be 150W continuous into 8 Ohm on unclipped programme. Sensitivity measured with 2.83V at 1-meter distance on axis, mean averaged between 65 – 30kHz shall be 85dB.

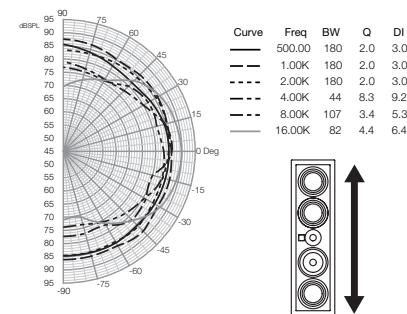
External dimensions shall be 625mm (24.6in) height x 175mm (6.9in) width x 97mm (3.8in) depth. Total weight shall be 4.2kg (9.3lb).

The loudspeaker system shall be the B&W CWM LCR7. No other system shall be acceptable unless the above combined performance are equalled or exceeded.

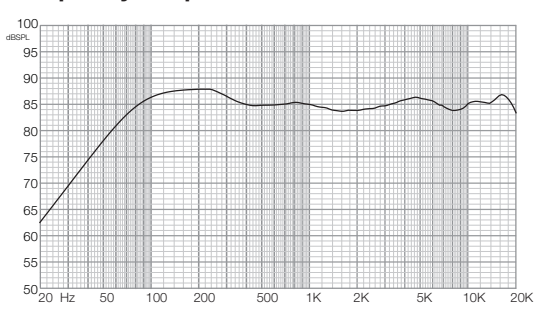
### Polar Response Horizontal



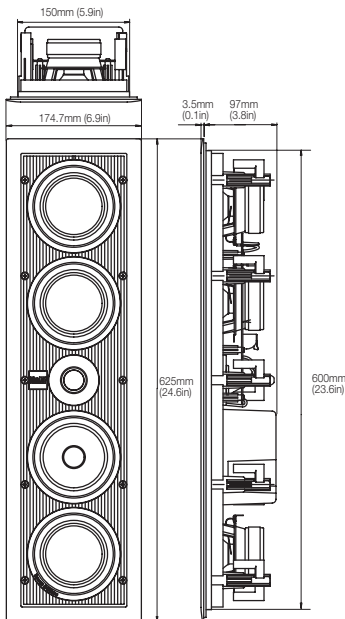
### Polar Response Vertical



### Frequency Response



### Dimensions



## B&W Bowers & Wilkins

B&W Group Ltd  
Dale Road  
Worthing West Sussex  
BN11 2BH England

T +44 (0) 1903 221800  
F +44 (0) 1903 221801  
info@bwgroup.com  
www.bwspeakers.com

UK Group (UK Sales)  
T +44 1903 221 500  
E uksales@bwgroup.com

B&W Group North America  
T +1 978 664 2870  
E marketing@bwgroupusa.com

B&W Group Asia Ltd  
T +852 2 869 9916  
E showroom@bwgroup.hk

Copyright © B&W Group Ltd. E & OE.

B&W Group Ltd reserves the right to amend details of the specifications without notice in line with technical developments.