



## See nothing, hear everything

The CWM LCR8 is a 2½-way in-wall speaker incorporating twin 130mm (5 in) aluminium cone bass drivers, twin 130mm (5 in) woven Kevlar® cone bass/midrange drivers, and a Nautilus™ tube loaded 25mm (1 in) aluminium dome tweeter in a symmetrical array less than 220mm (8.7 in) wide. Technology of this sophistication is rare in an in-wall speaker. It achieves a -6dB bandwidth stretching from 35Hz to 50kHz and can generate sound levels equivalent to the largest scale live music or theatre performance. The raw facts, however, can never do justice to its sound.

Like the best conventional hi-fi speakers, the CWM LCR8 can transcend the recorded medium, suspend disbelief and bring a performance right into the home. Unlike conventional hi-fi, however, the CWM LCR8 can be almost invisible.

## Technical Specification

<b>Technical features</b>	<b>Very high rigidity glass-filled resin baffle</b> <b>Aluminium cone bass drivers</b> <b>Woven Kevlar® bass/midrange drivers</b> <b>Nautilus™ tube-loaded tweeter</b>
<b>Description</b>	2½-way in-wall speaker system
<b>Drive units</b>	1x ø25mm (1 in) Nautilus™ tube loaded aluminium dome tweeter 2x ø130mm (5 in) woven Kevlar cone bass/midrange 2x ø130mm (5 in) aluminium cone bass
<b>Frequency range</b>	-6dB at 35Hz and 50kHz
<b>Frequency response</b>	45Hz-22kHz ±3dB on reference axis
<b>Sensitivity</b>	91dB spl (2.83V, 1m)
<b>Nominal impedance</b>	8Ω (minimum 4.5Ω)
<b>Crossover frequency</b>	300Hz, 3.5kHz
<b>Recommended amplifier power</b>	150W into 8Ω on unclipped programme
<b>Frame size</b>	708mm (27.9 in) x 219mm (8.6 in)
<b>Cut-out size</b>	688mm (26.3 in) x 180mm (7.1 in)
<b>Min depth req</b>	89mm (3.5 in) behind mounting surface
<b>Net weight</b>	8.0 kg (17.6lb)
<b>Finish</b>	Semi-matt white suitable for customising or pre-painting (paint mask included)
<b>Accessories</b>	Pre-mount kit for new construction (PMK LCR8) Back Box (BB LCR8)



# CWM LCR8

## Architectural and Engineering Specifications

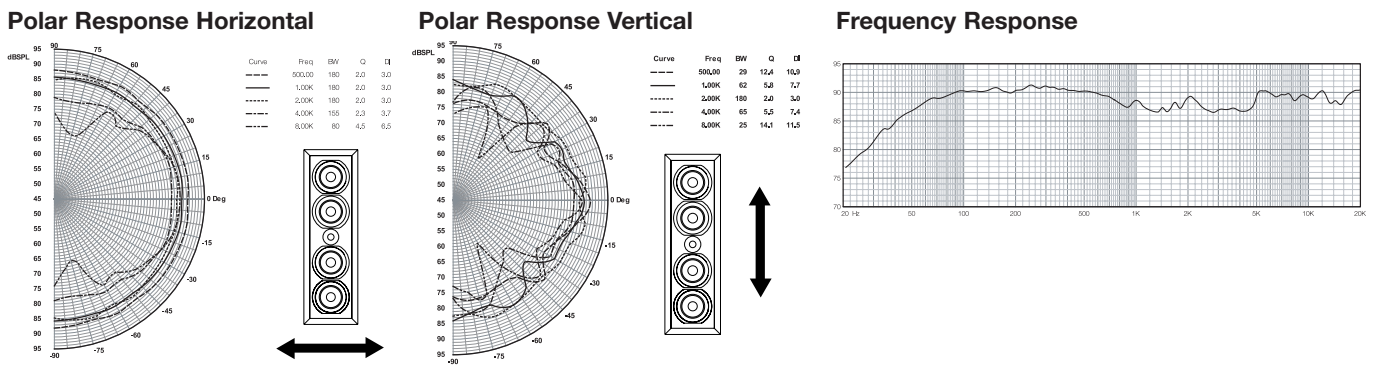
The loudspeaker system shall be of the mono-amped 2½-way type comprising of a single flush mountable rectangular enclosure containing two 5in bass drivers with aluminium cones, two 5in bass-mid woven Kevlar cone and one 1in tube loaded aluminium dome tweeter.

Performance specifications of a typical production unit shall meet or exceed the following:

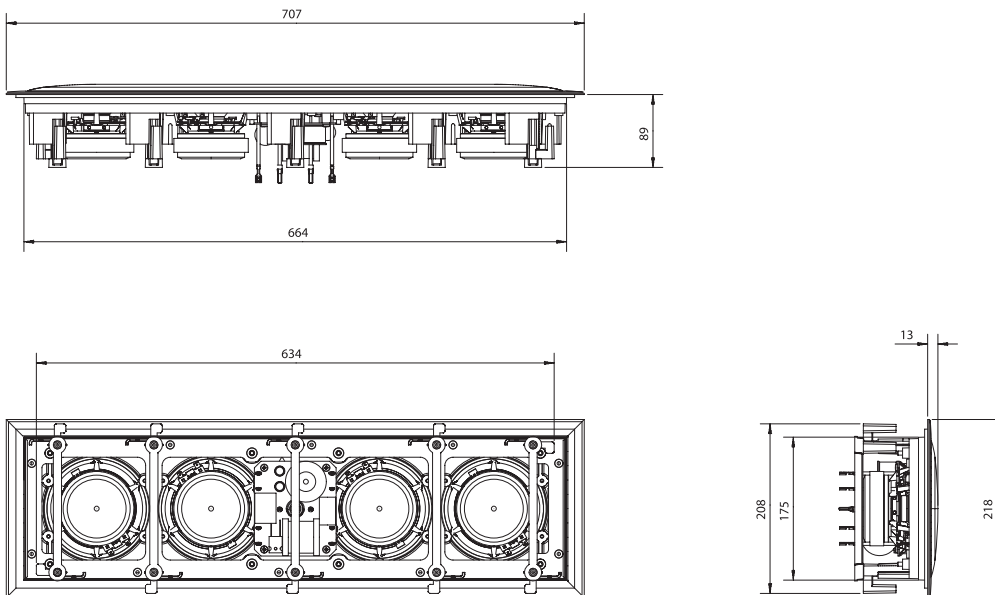
Frequency response shall be 45 – 22kHz ±3dB. Nominal impedance shall be 8 Ohm. Total power handling shall be 150W continuous into 8 Ohm on unclipped programme. Sensitivity measured with 2.83V at 1-meter distance on axis, mean averaged between 45 – 22kHz shall be 91dB.

External dimensions shall be 708mm (27.9in) height x 219mm (8.6in) width x 94mm (3.7in) depth. Total weight shall be 8.0kg (17.6lb).

The loudspeaker system shall be the B&W CWM LCR8. No other system shall be acceptable unless the above combined performance are equalled or exceeded.



## Dimensions



## B&W Bowers & Wilkins

B&W Group Ltd  
Dale Road  
Worthing West Sussex  
BN11 2BH England

T +44 (0) 1903 221800  
F +44 (0) 1903 221801  
info@bwgroup.com  
www.bwspeakers.com

B&W Group (UK Sales)  
T +44 1903 221 500  
E uksales@bwgroup.com

B&W Group North America  
T +1 978 664 2870  
E marketing@bwgroupusa.com

B&W Group Asia Ltd  
T +852 2 869 9916  
E showroom@bwgroup.hk

Copyright © B&W Group Ltd. E & OE.

B&W Group Ltd reserves the right to amend details of the specifications without notice in line with technical developments.