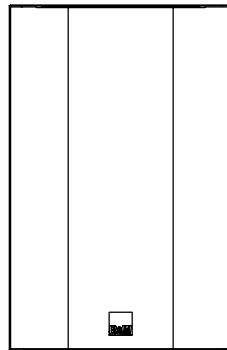
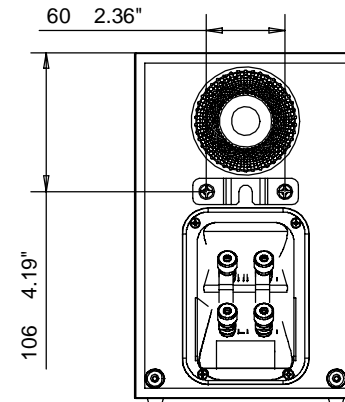
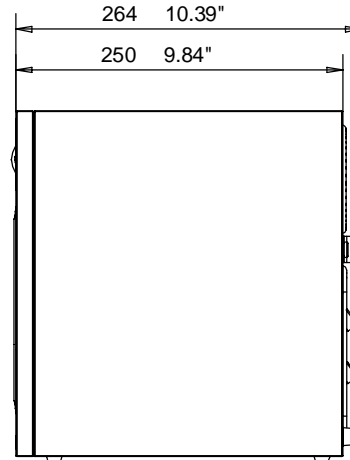
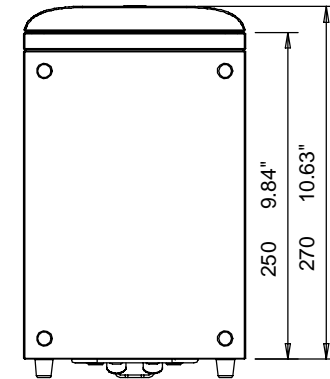
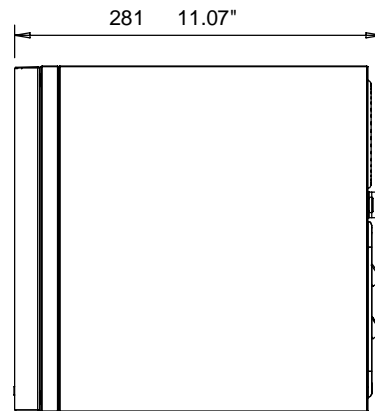


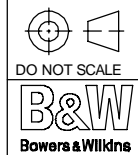
GRILLE OFF



GRILLE ON



ALL COMPONENTS MUST BE RoHS COMPLIANT



DIMENSIONS IN mm	
TOLERANCES	
0.	± 0.5
0,0	± 0.3
0,00	± 0.1
ANGLES ± 0.5°	
UNLESS OTHERWISE STATED	

MATERIAL	
FINISH	

2	DRAWING UPDATED FOR LATEST COMPONENTS	PDC2500	23.11.06		
ISS	AMENDMENT	ECN NO.	DATE	APPROVAL	
TITLE					
686 LINE DRAWING					

COPYRIGHT © 2006		PART NO.	
DRAWN SM	DATE 12/9/06	FP25925	
CHECKED / APPROVED MC MC		DRG. NO.	ISS
SCALE 1:4		A8270-1-1	(2)
FULL DRG SIZE A3			