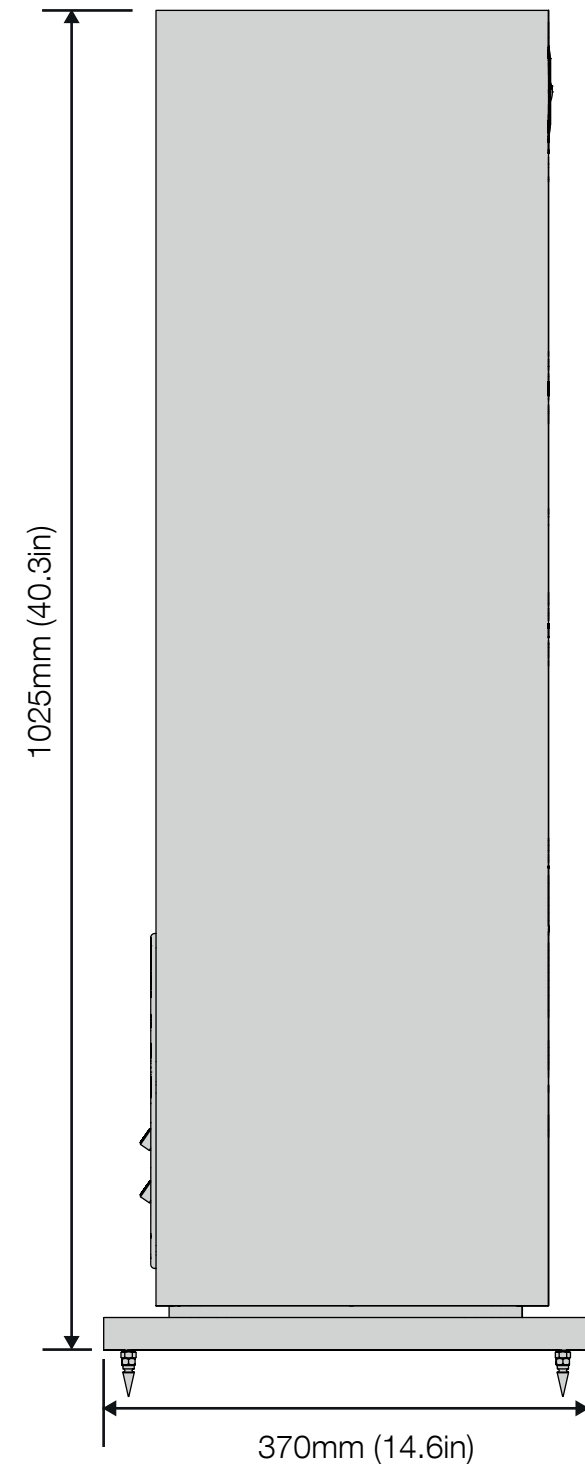


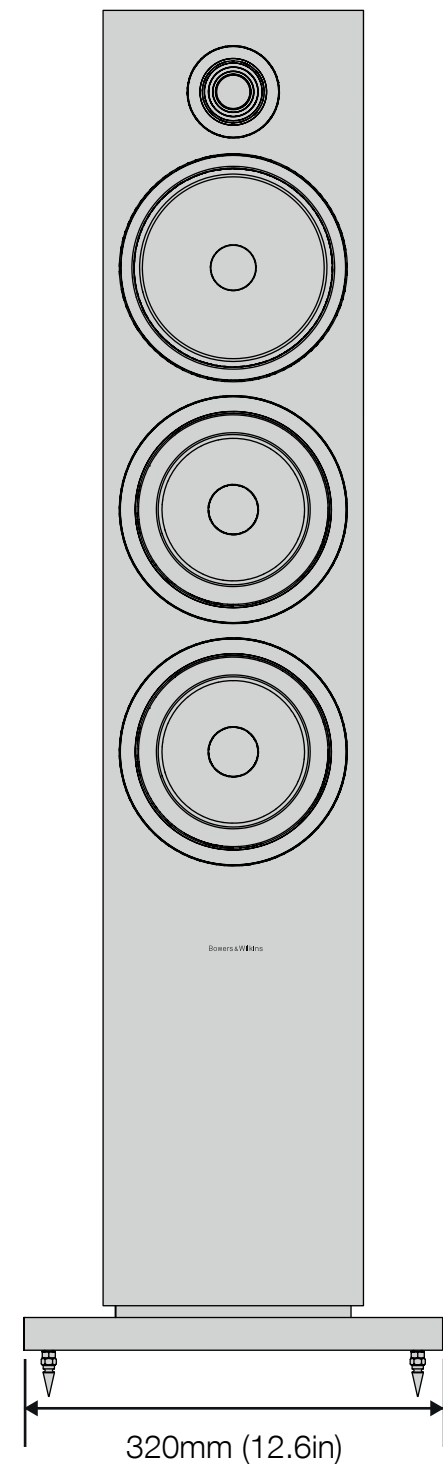
Bowers & Wilkins

703 S2

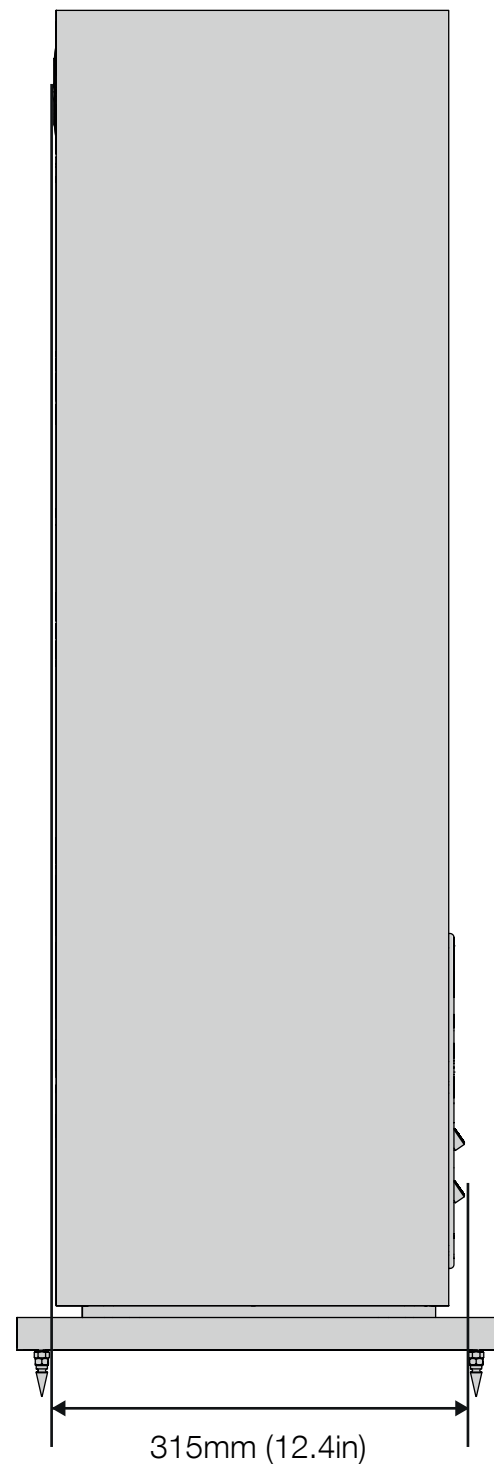
SIDE



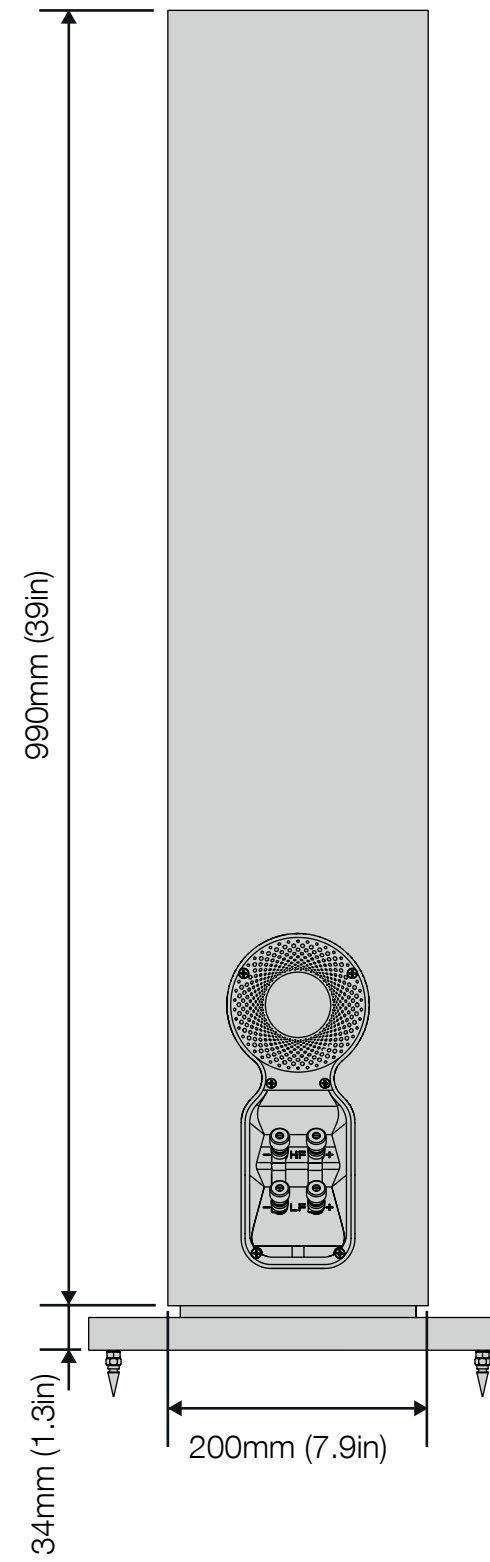
FRONT



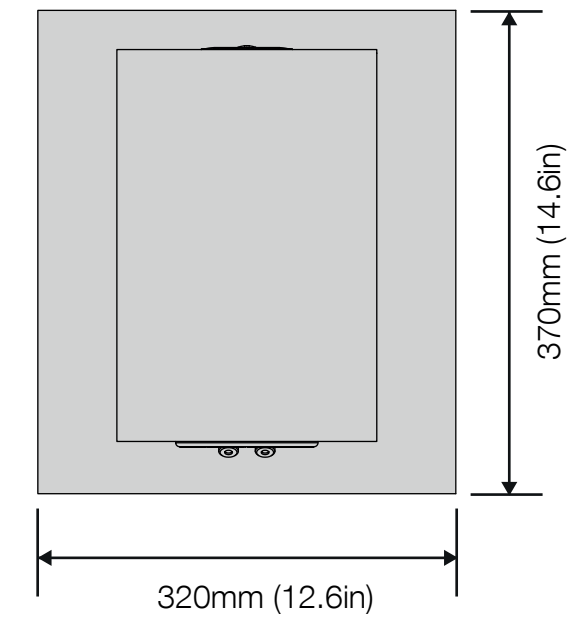
SIDE



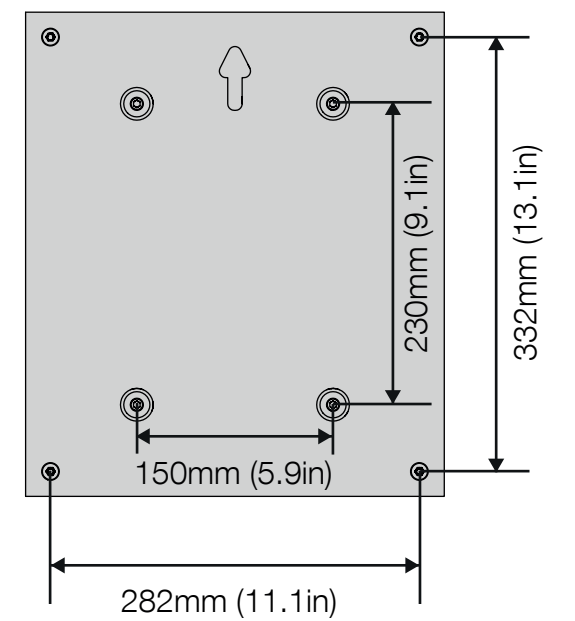
BACK



TOP



PLINTH BASE
SCREW AND FOOT ALIGNMENT



CABINET BASE
SCREW ALIGNMENT FOR PLINTH

