

B&W

TITLE

705 G.A. LINE DRAWING

DRG. NO.

A5910-1-1

ISS

2

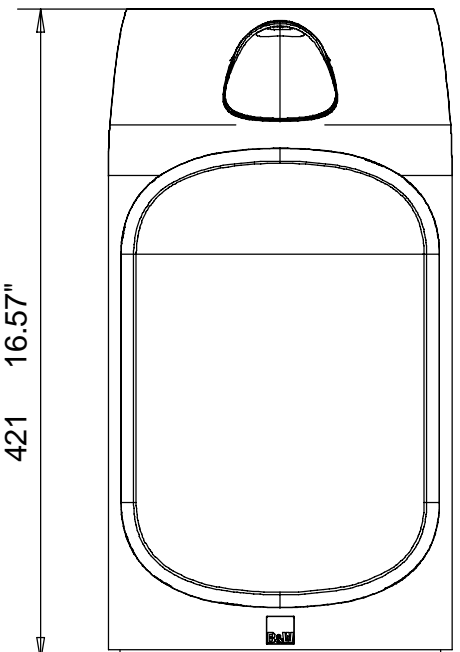
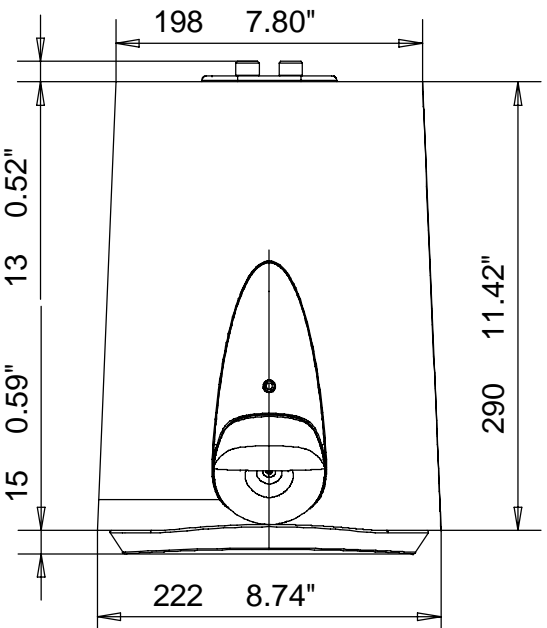
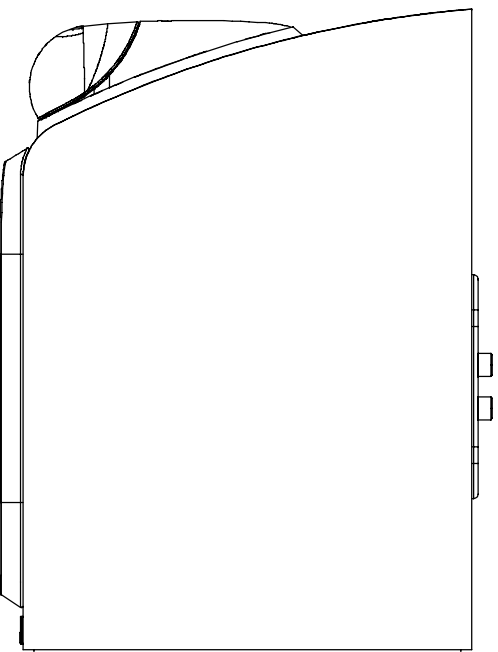
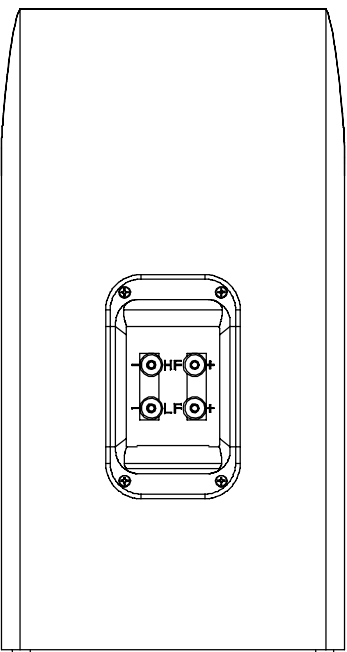
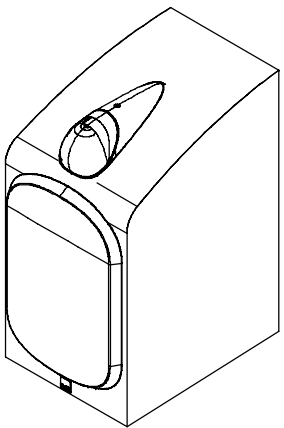
PART NO.

FP16403

COPYRIGHT © 2003

DATE 12.3.03

DRAWN RM



ISSUE 2 DIMENSIONS IN INCHES ADDED

AMENDMENT

ECR2059 28/3/06
ECN No.

DATE

APPROVAL