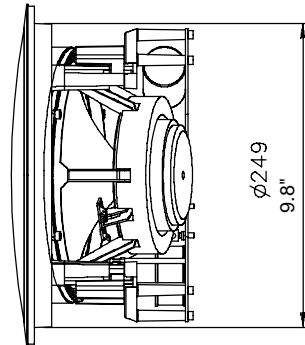
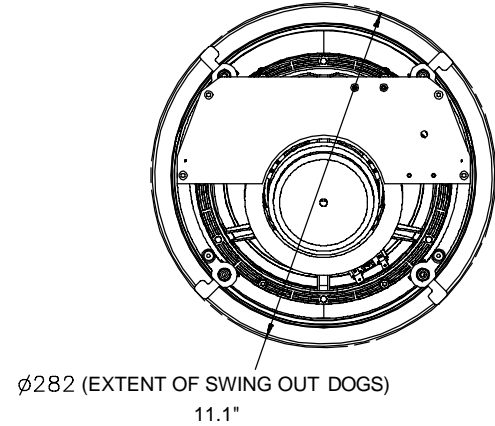
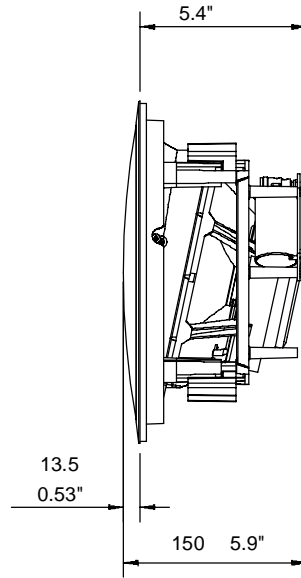
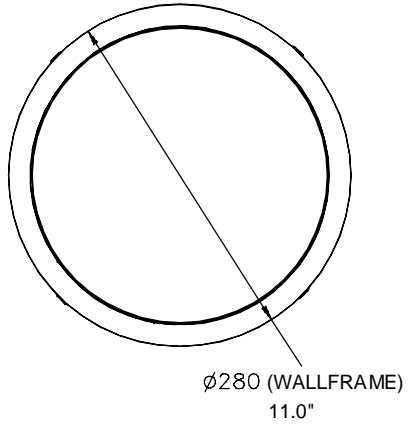
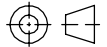



136 (DEPTH OF UNIT INSIDE WALL)



ALL COMPONENTS MUST BE RoHS COMPLIANT

 DO NOT SCALE  Bowers & Wilkins	DIMENSIONS IN mm TOLERANCES 0. ± 0.5 0.0 ± 0.3 0.00 ± 0.1 ANGLES ± 0.5°	MATERIAL N/A							COPYRIGHT © 2007 DRAWN GMP DATE 26-1-07	PART NO. <b>FP24391</b>
	FINISH N/A	2 GRILLE ADDED. AMENDMENT	15-5-07 DATE	ECN NO.	APPROVAL	CHECKED / APPROVED	SCALE 1:4 FULL DRG SIZE A3	DRG. NO. A8439-1-1	ISS ②	
CCM818 LINE DRAWING										