

B&W

Bowers & Wilkins

TITLE

CDSS3 LINE DRAWING

DRG. NO.

A8428-1-1

ISS

2

COPYRIGHT © 2007

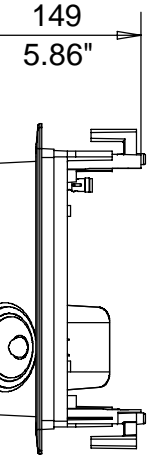
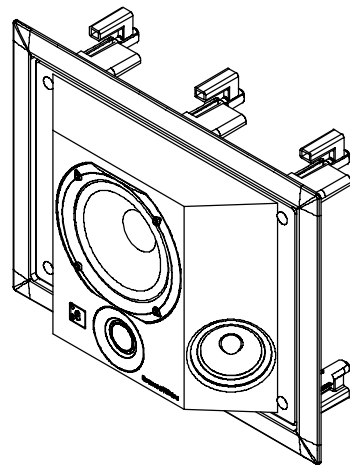
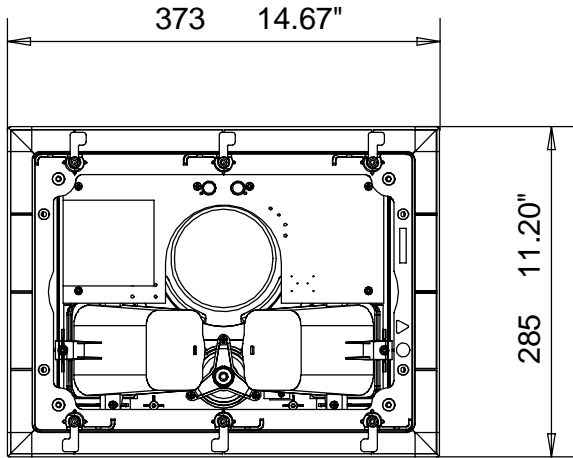
DATE 19.1.07

DRAWN RM

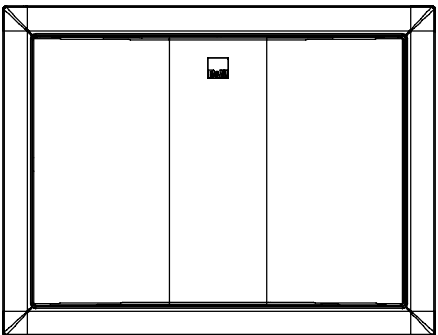
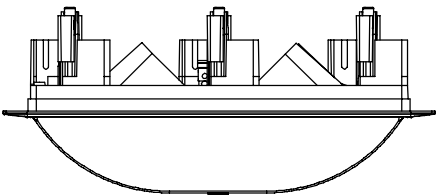
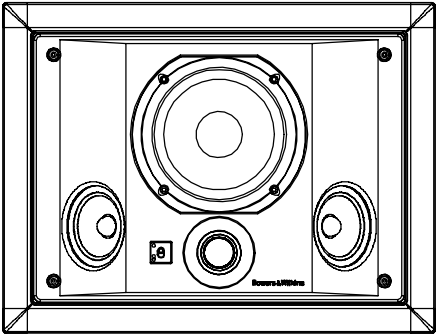
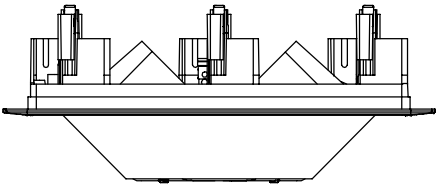
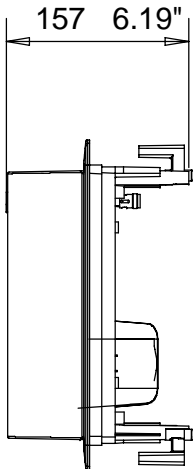
PART NO.

FP26816

GRILLE OFF



GRILLE ON



ISSUE 2 CORNER RADIi ADDED TO WALLFRAME

AMENDMENT

PDC2574 1.2.07

ECN No.

DATE

APPROVAL