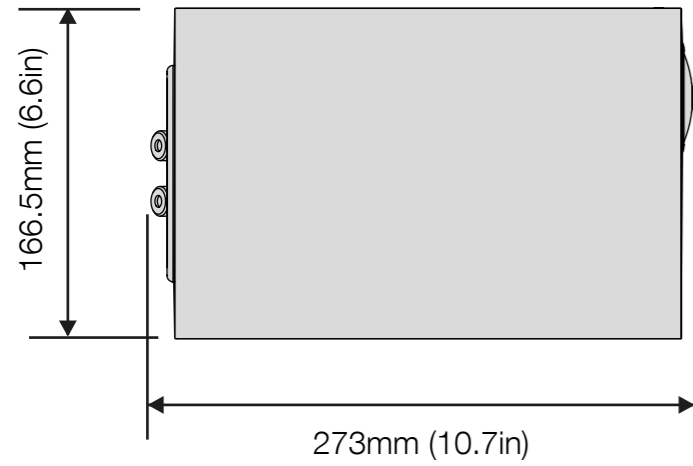


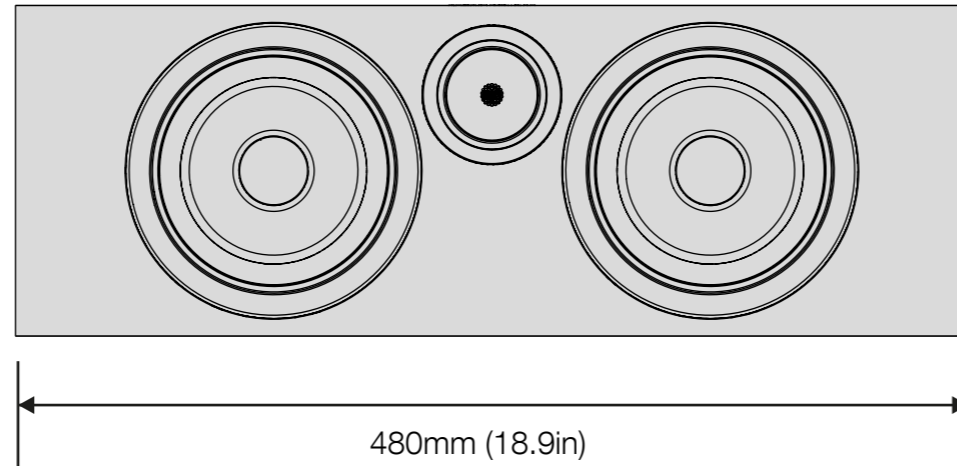
Bowers & Wilkins

CM Centre S2

LEFT SIDE



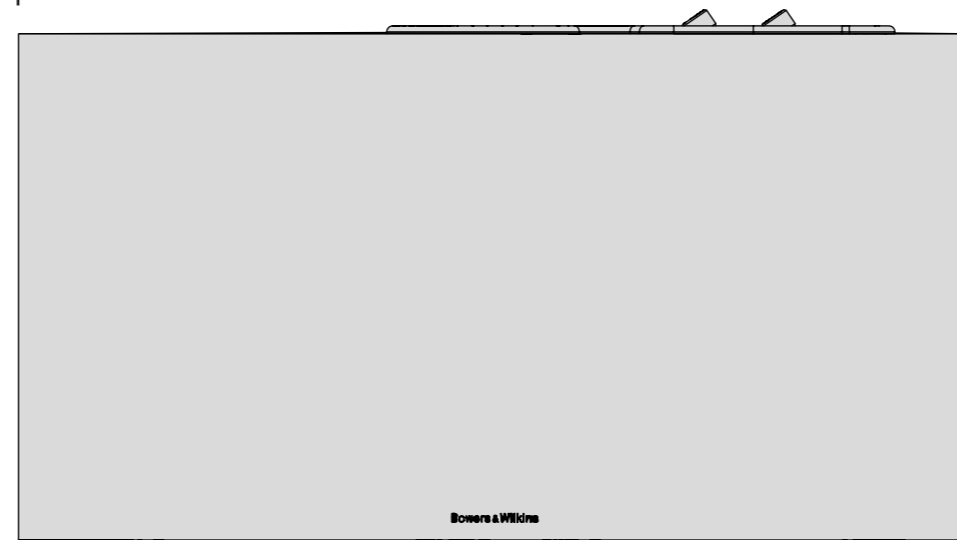
FRONT



RIGHT SIDE



TOP



BACK

