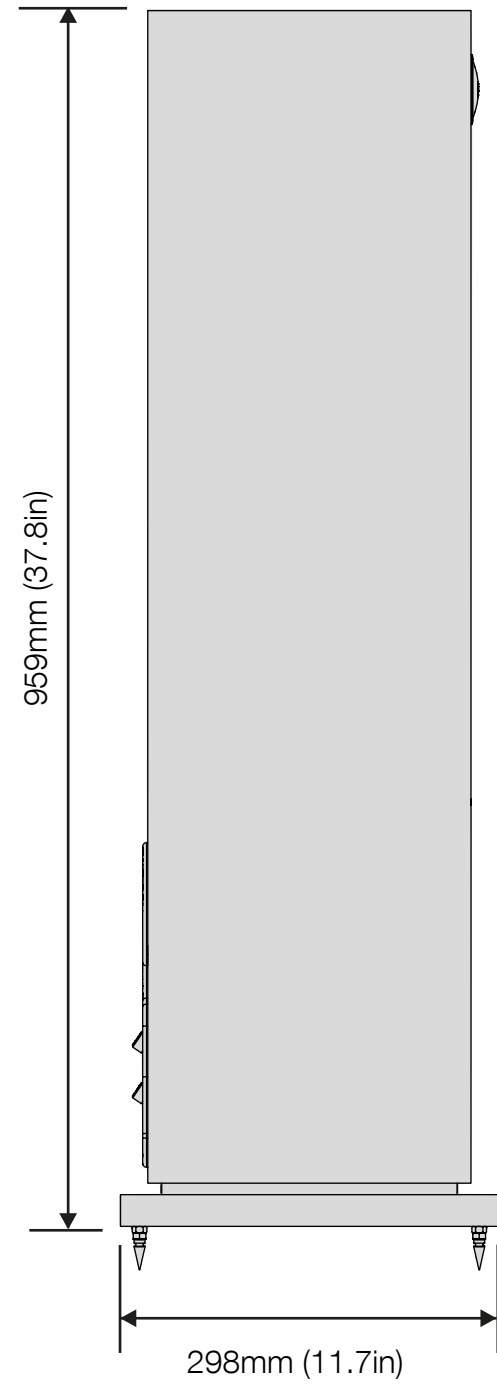


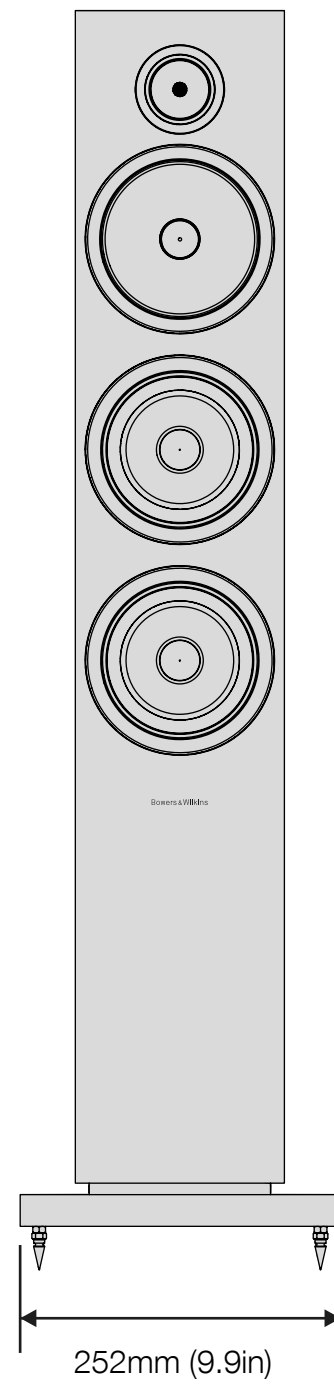
Bowers & Wilkins

CM8 S2

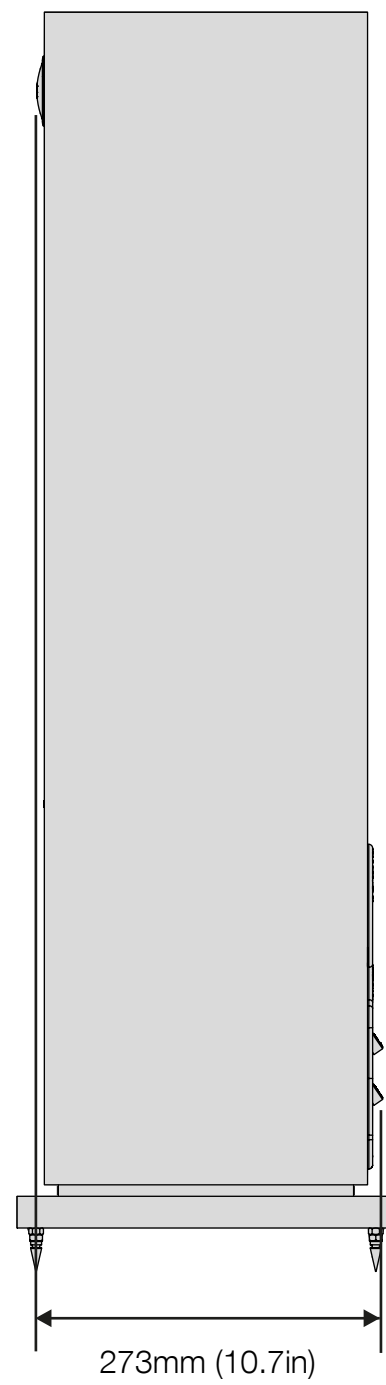
LEFT SIDE



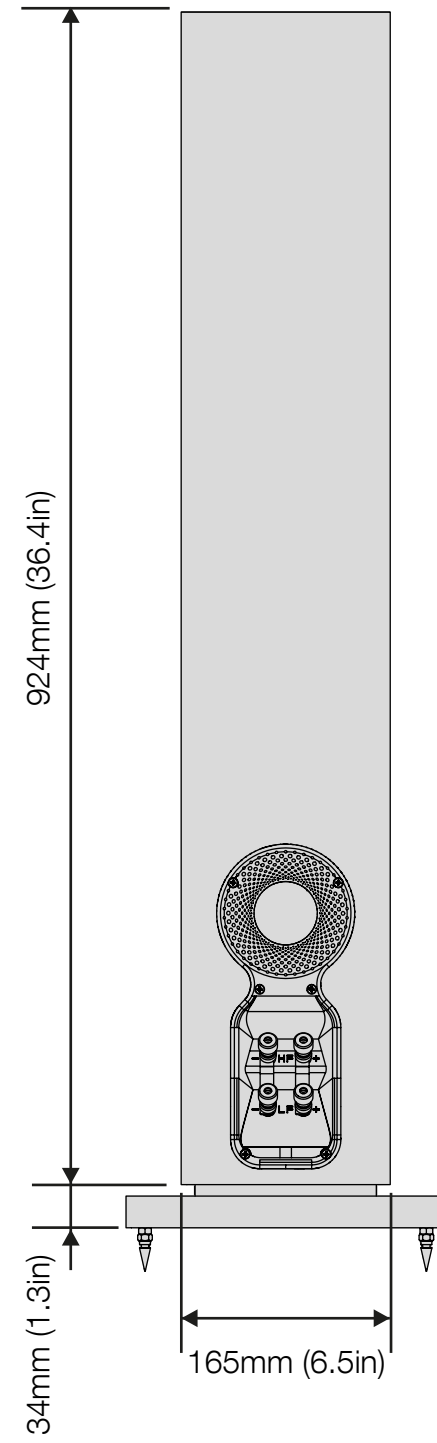
FRONT



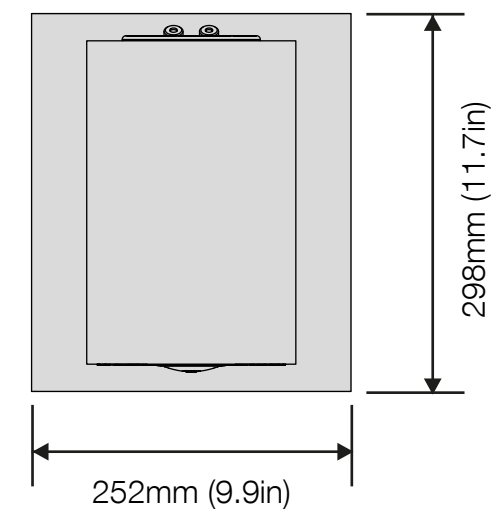
RIGHT SIDE



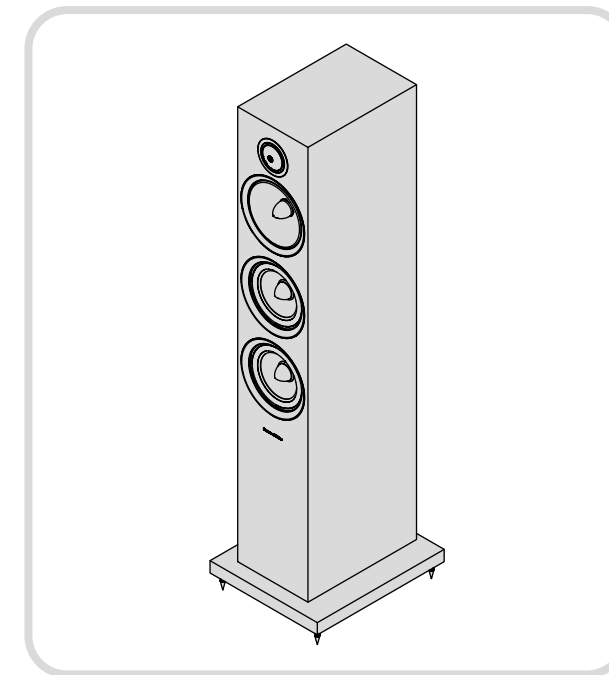
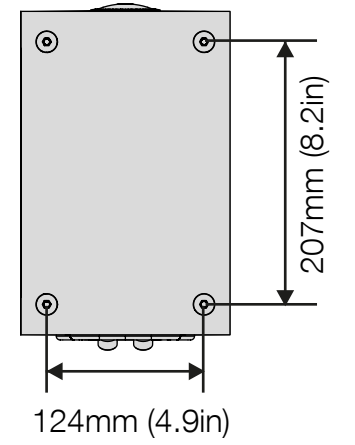
BACK



TOP



BASE
SCREW ALIGNMENT FOR PLINTH



PLINTH BASE
SCREW AND FOOT ALIGNMENT

