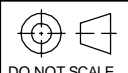
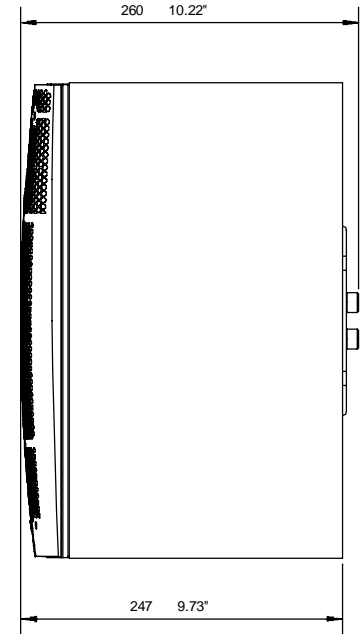
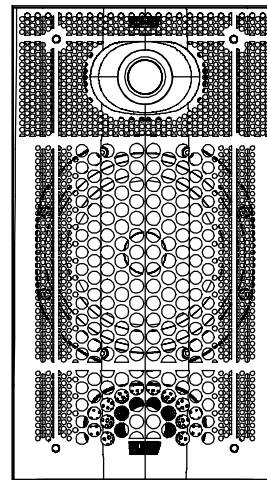
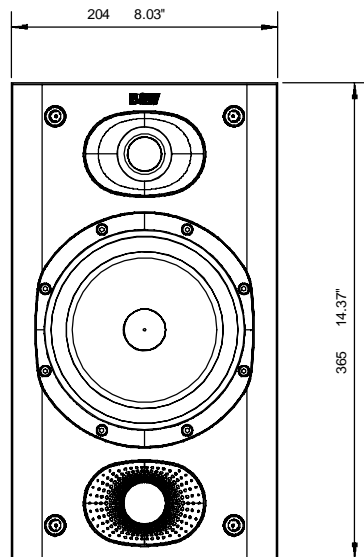
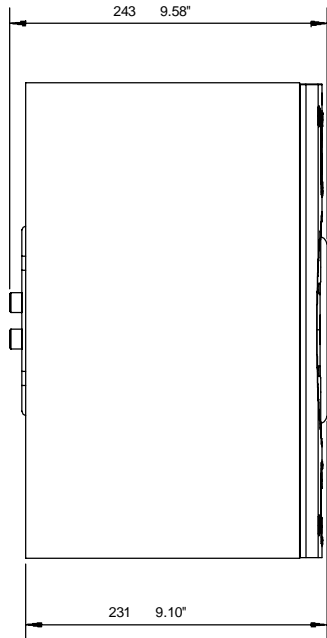


6-ISOMETRIC SCALE 1:8



DO NOT SCALE



DIMENSIONS IN mm	
TOLERANCES	
0.	± 0.5
0.0	± 0.3
0.00	± 0.1
ANGLES ± 0.5°	
UNLESS OTHERWISE STATED	

MATERIAL	N/A
FINISH	N/A

2	DIMENSIONS IN INCHES ADDED	PDC 2059	08/02/06	MG
ISS	AMENDMENT	ECN NO.	DATE	APPROVAL
TITLE				
DM601 S3 LINE DRAWING				

COPYRIGHT © 2005		PART NO.
DRAWN GMP	DATE 22-6-05	FP12335
CHECKED / APPROVED		DRG. NO.
SCALE 1:4		A7473-1-1
FULL DRG SIZE A3		(2)