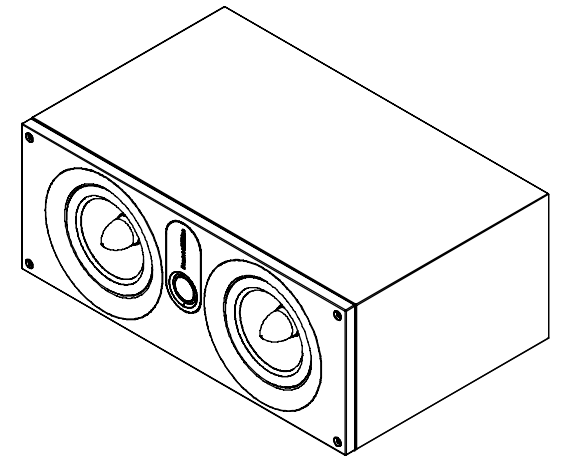
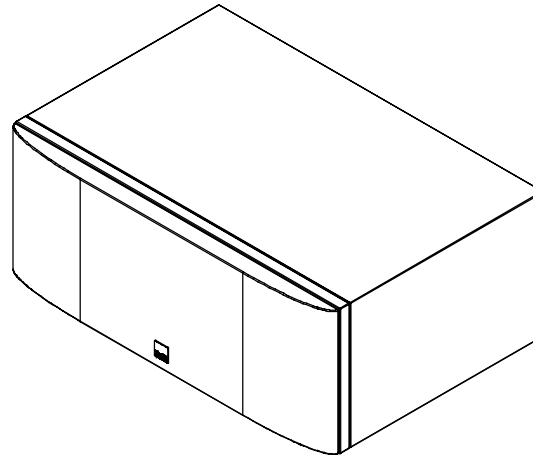
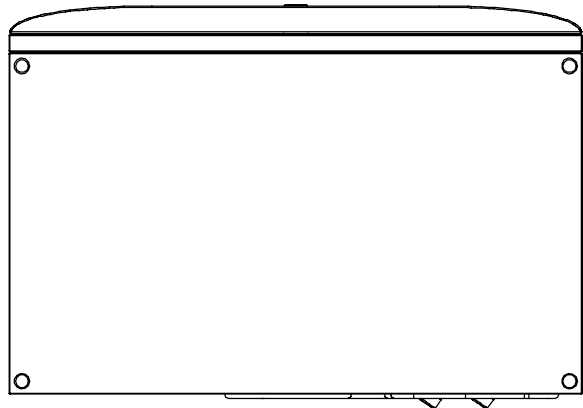
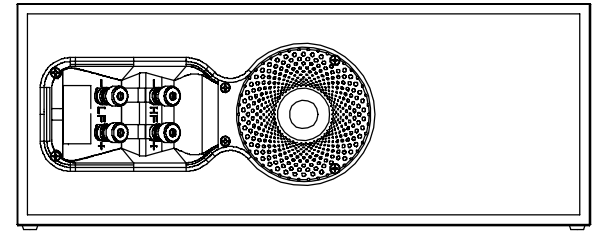
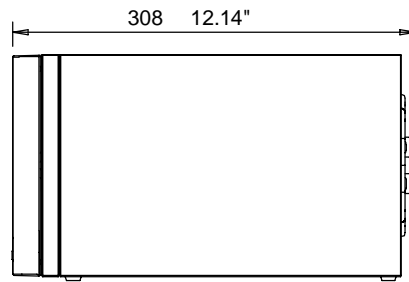
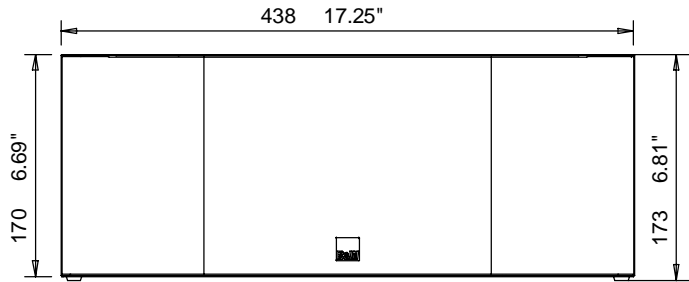
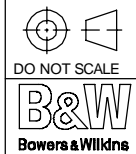


GRILLE OFF



ALL COMPONENTS MUST BE RoHS COMPLIANT



DIMENSIONS IN mm	
TOLERANCES	
0.	± 0.5
0,0	± 0.3
0,00	± 0.1
ANGLES ± 0.5°	
UNLESS OTHERWISE STATED	

MATERIAL
FINISH

ISS	AMENDMENT	ECN NO.	DATE	APPROVAL
2	DRAWING UPDATED FOR LATEST COMPONENTS	PDC2500	27.11.06	
TITLE HTM62 LINE DRAWING				

COPYRIGHT © 2006		PART NO.
DRAWN SM	DATE 12/9/06	FP26042
CHECKED / APPROVED MC	MC	DRG. NO.
SCALE NTS	NTS	A8294-1-1
FULL DRG SIZE A3		②