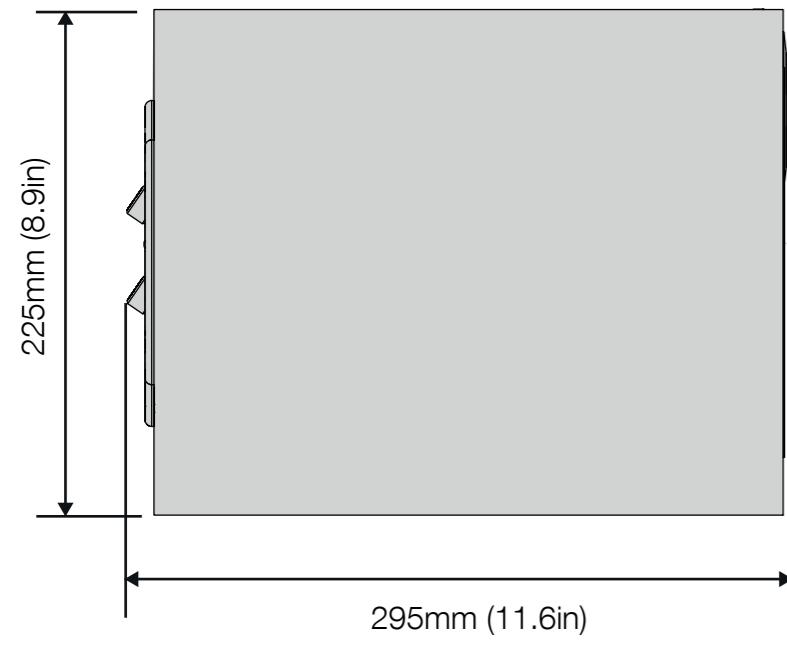


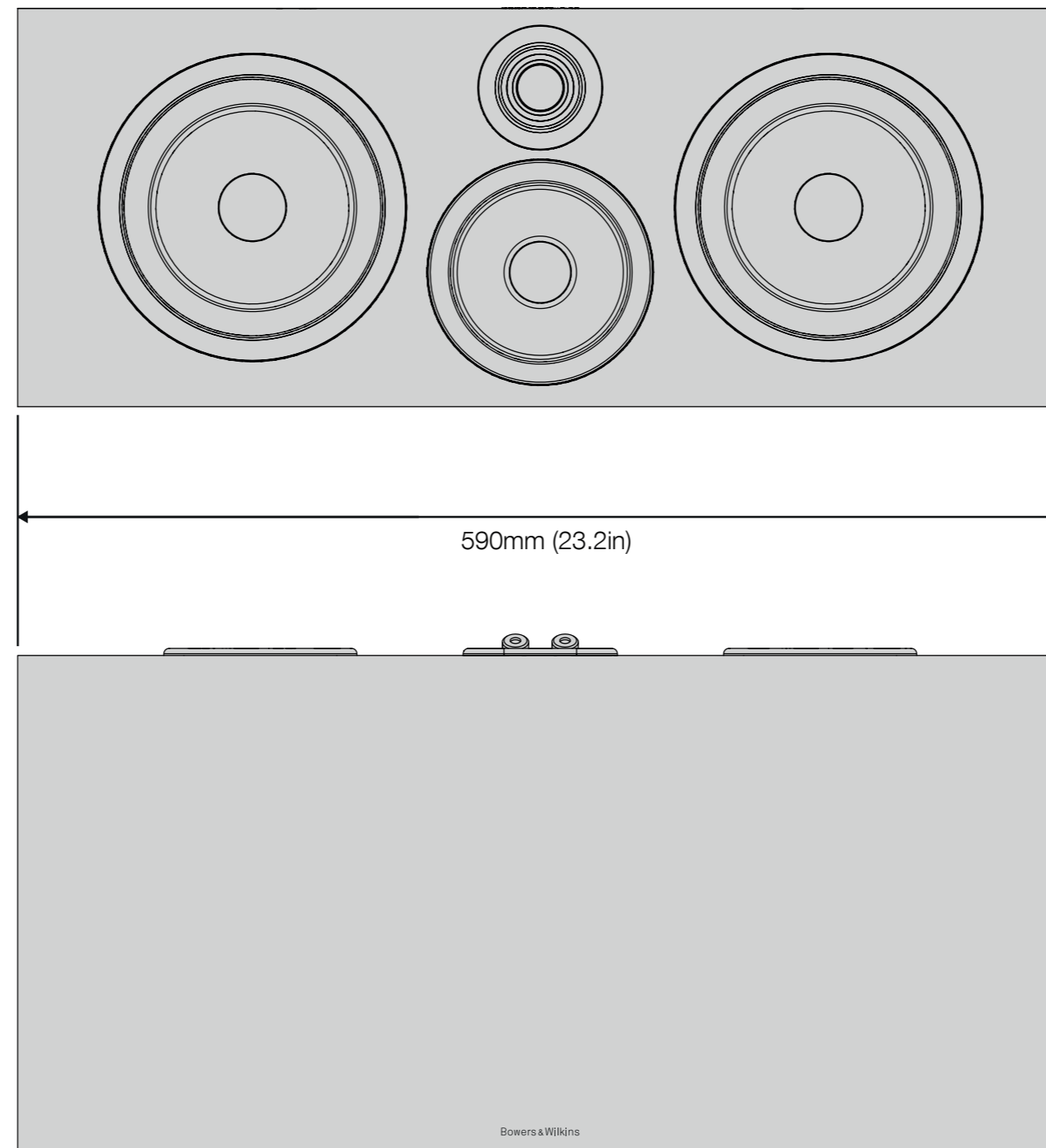
Bowers & Wilkins

HTM71 S2

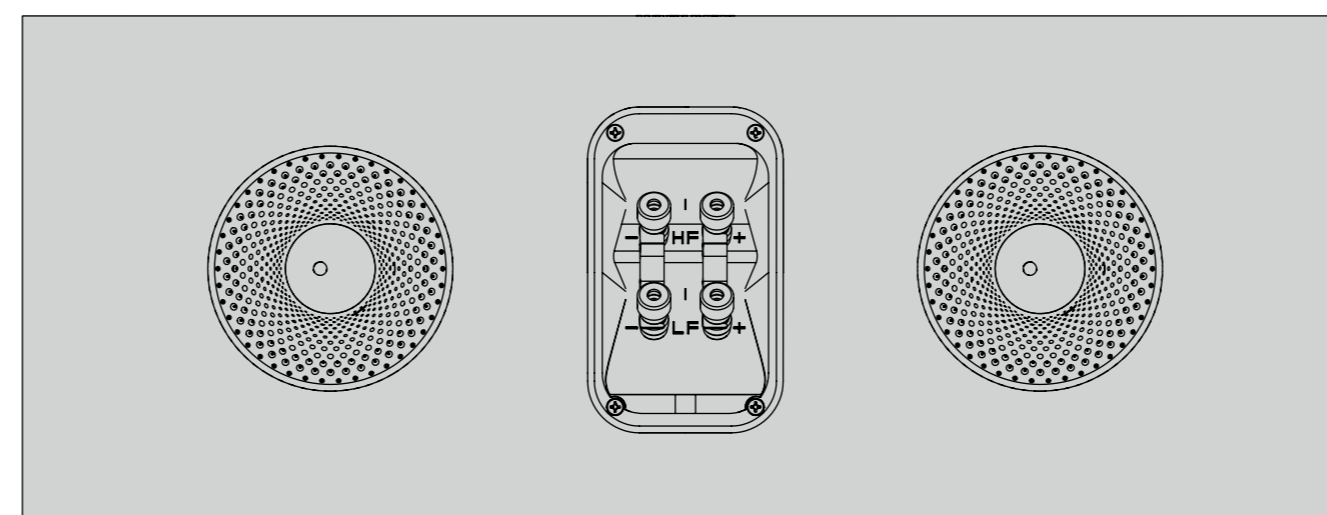
SIDE



TOP



TOP



BACK

SIDE

