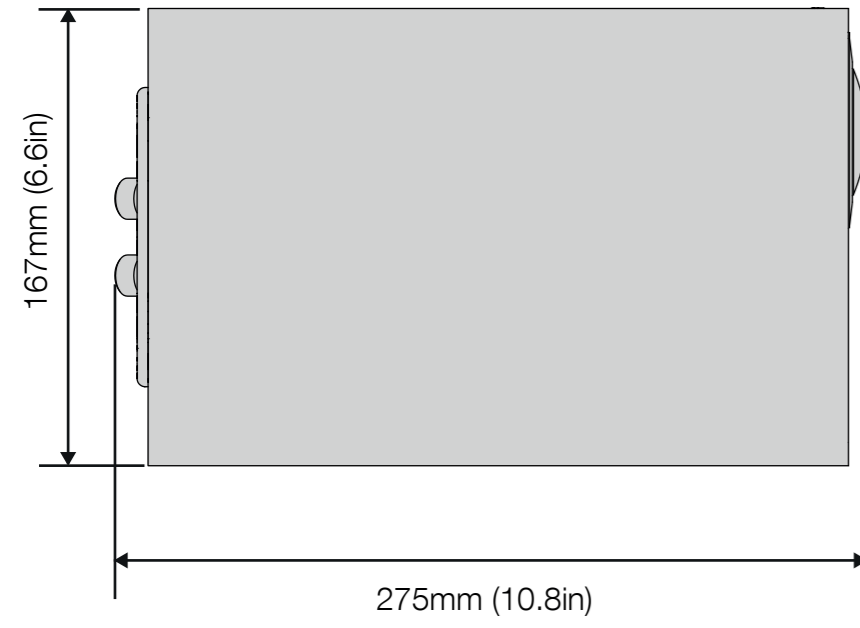


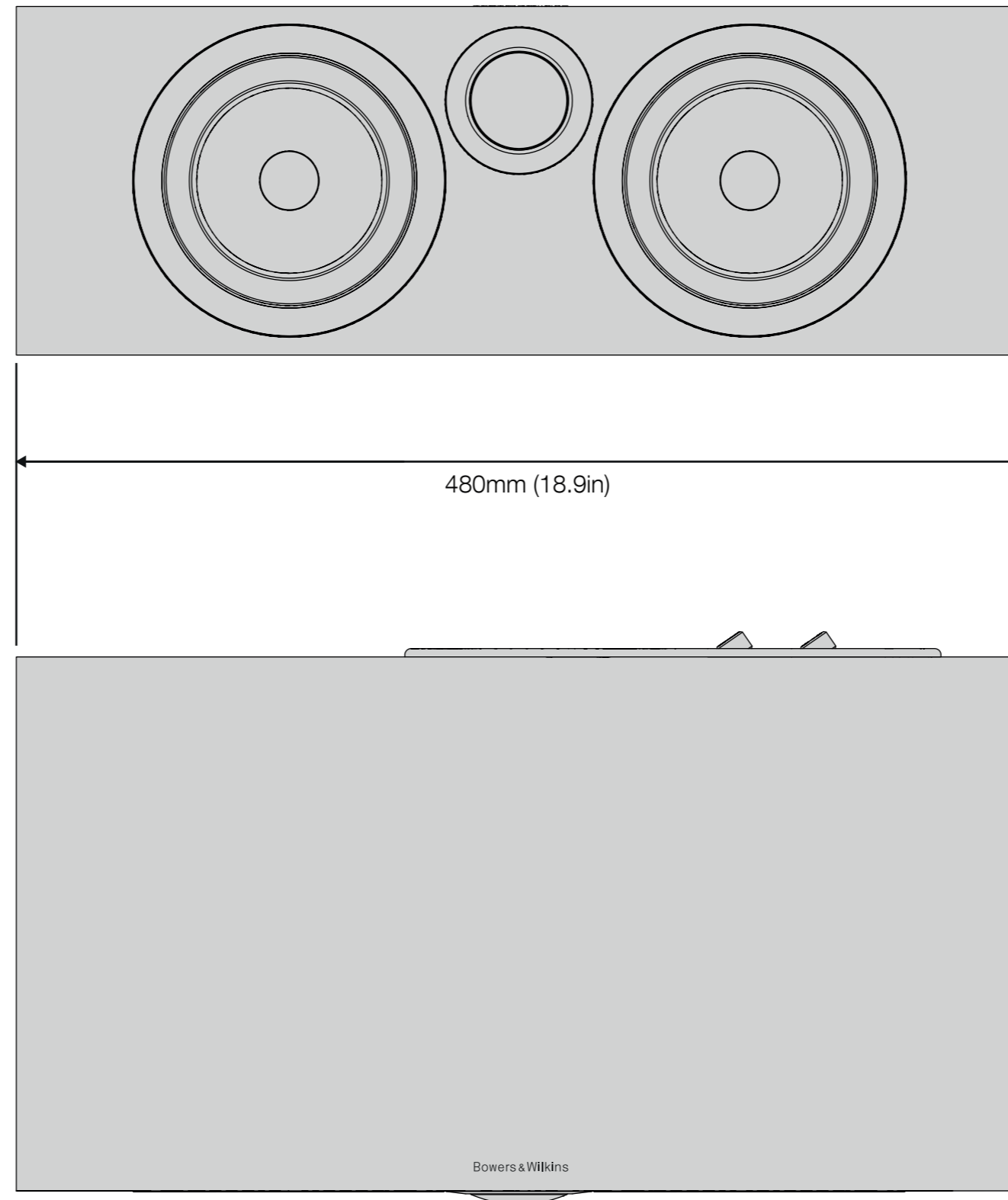
Bowers & Wilkins

HTM72 S2

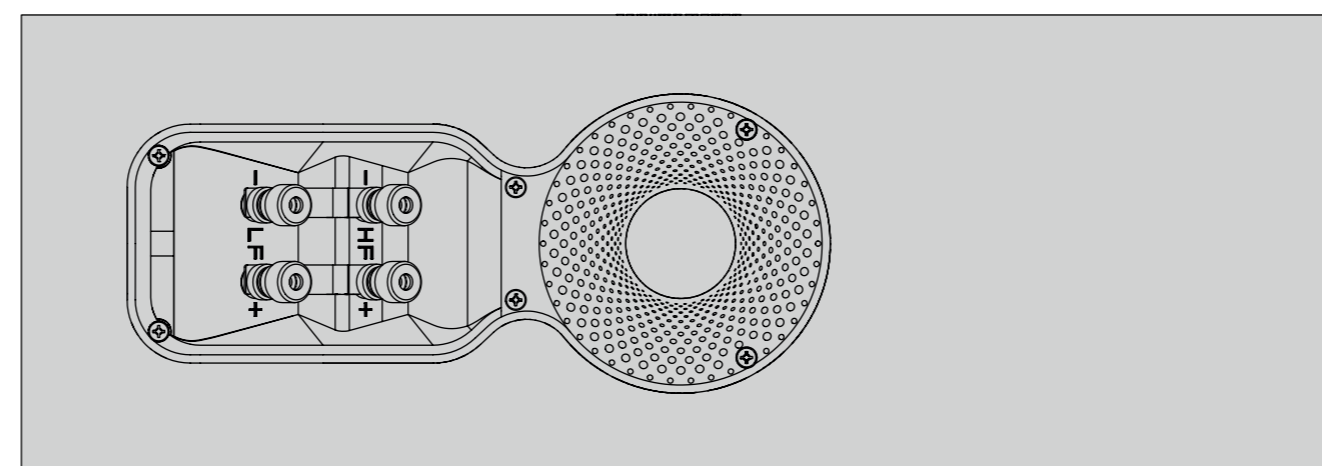
SIDE



TOP



SIDE



BACK

