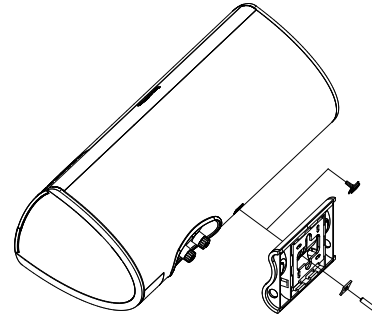


DIMENSION IN [BRACKETS] ARE INCHES



DIMENSIONS IN mm

TOLERANCES
 0.0 ± 0.5
 0.0 ± 0.3
 0.00 ± 0.1
 ANGLES ± 0.5°

UNLESS OTHERWISE STATED

MATERIAL

N/A

FINISH

N/A

6 DIMENSIONS IN INCHES ADDED

ECR2059 20.05

COPYRIGHT © 2005

PART NO.

5 WALL MOUNTING POINT PLUG ADDED

ECR1978 25.10.05

DRAWN DATE

10-5-05
FP23922

4 DRAWING UPDATED

17.10.05

GMP

3 REAR VIEW ADDED

8.7.05

CHECKED / APPROVED

DRG. NO.

ISS AMENDMENT

ECN NO. DATE APPROVAL

SCALE 1:2

A7426-1-1

TITLE

XTC LINE DRAWING

FULL DRG SIZE **A3**

ISS

6