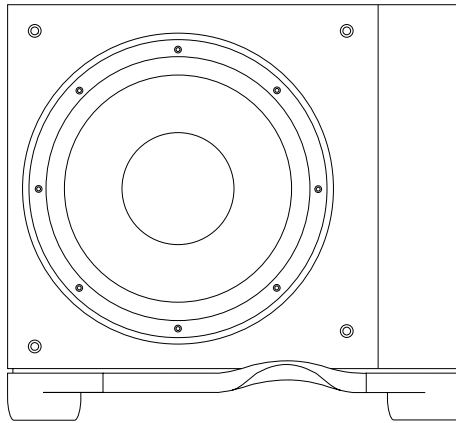


ASW™ 4000

OWNER'S MANUAL



LISTEN AND YOU'LL SEE

ASW™ 4000 Owner's manual

English5

Français8

Deutsch11

Español14

Português18

Italiano20

Nederlands23

Dansk26

Ελληνικά29

Русский32

中文36

Norsk39

Svenska39

Suomi39

Figure 1

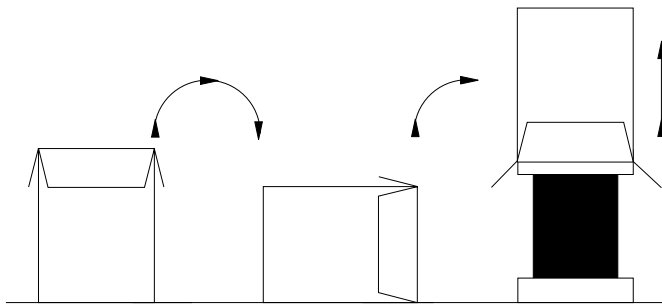


Figure 2

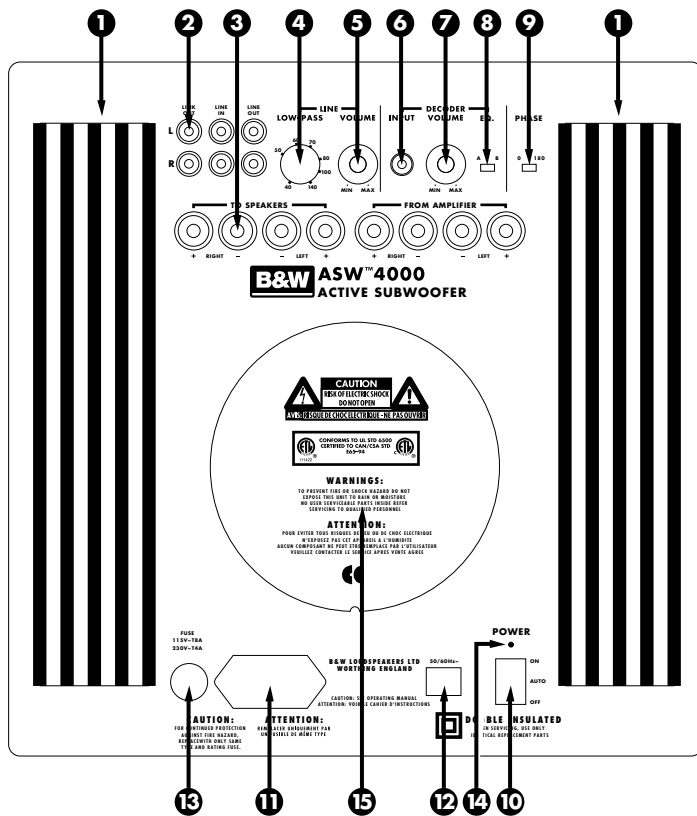


Figure 3

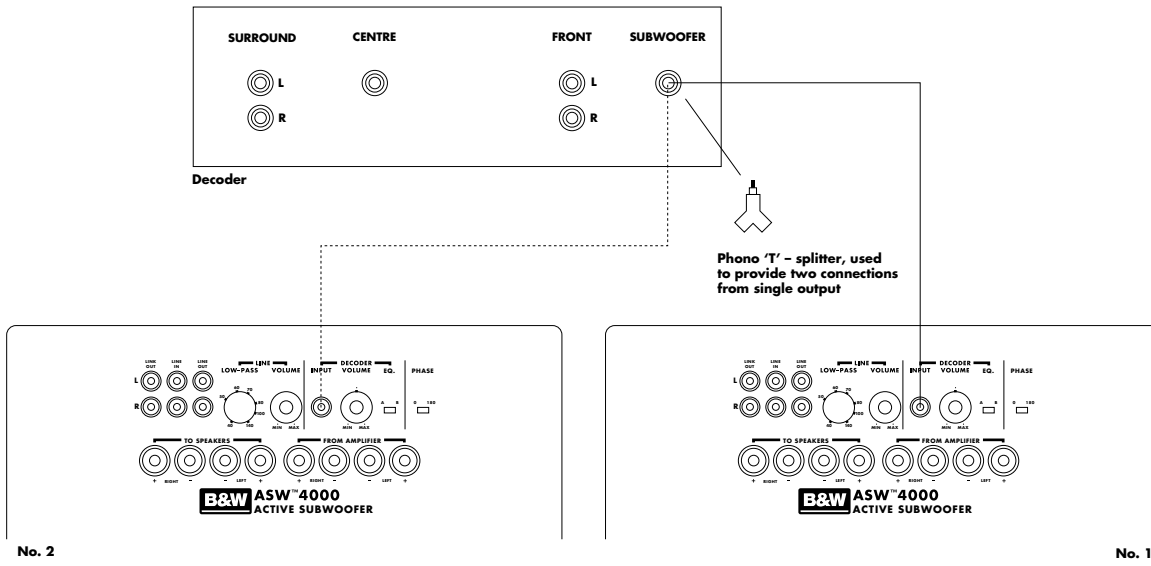


Figure 4

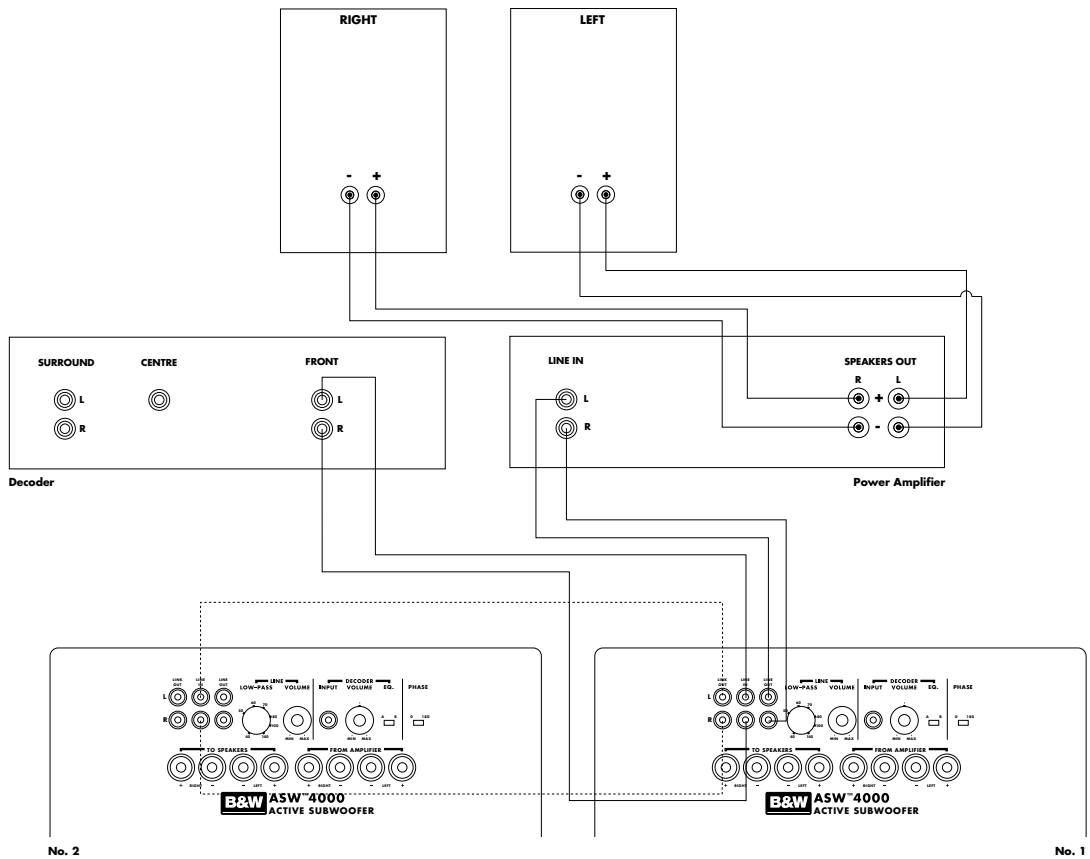


Figure 5

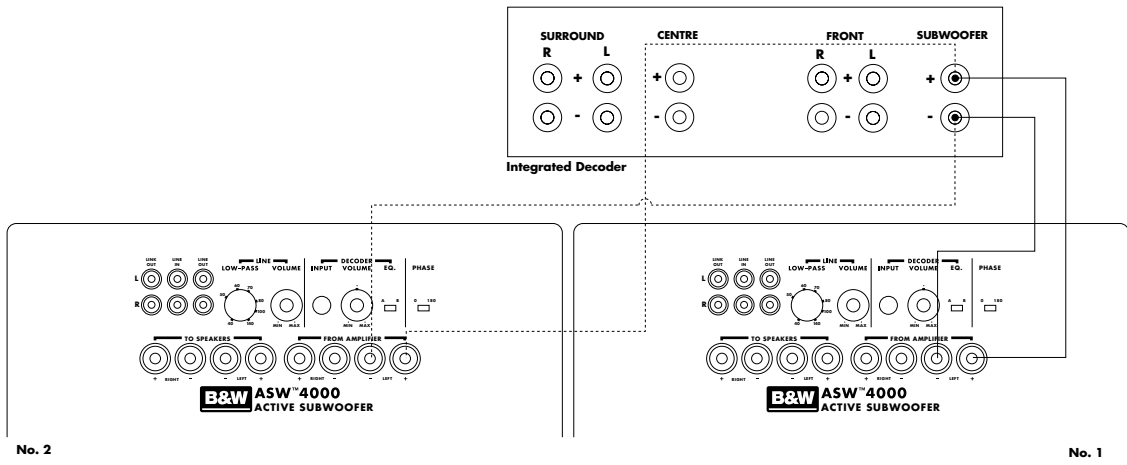


Figure 6

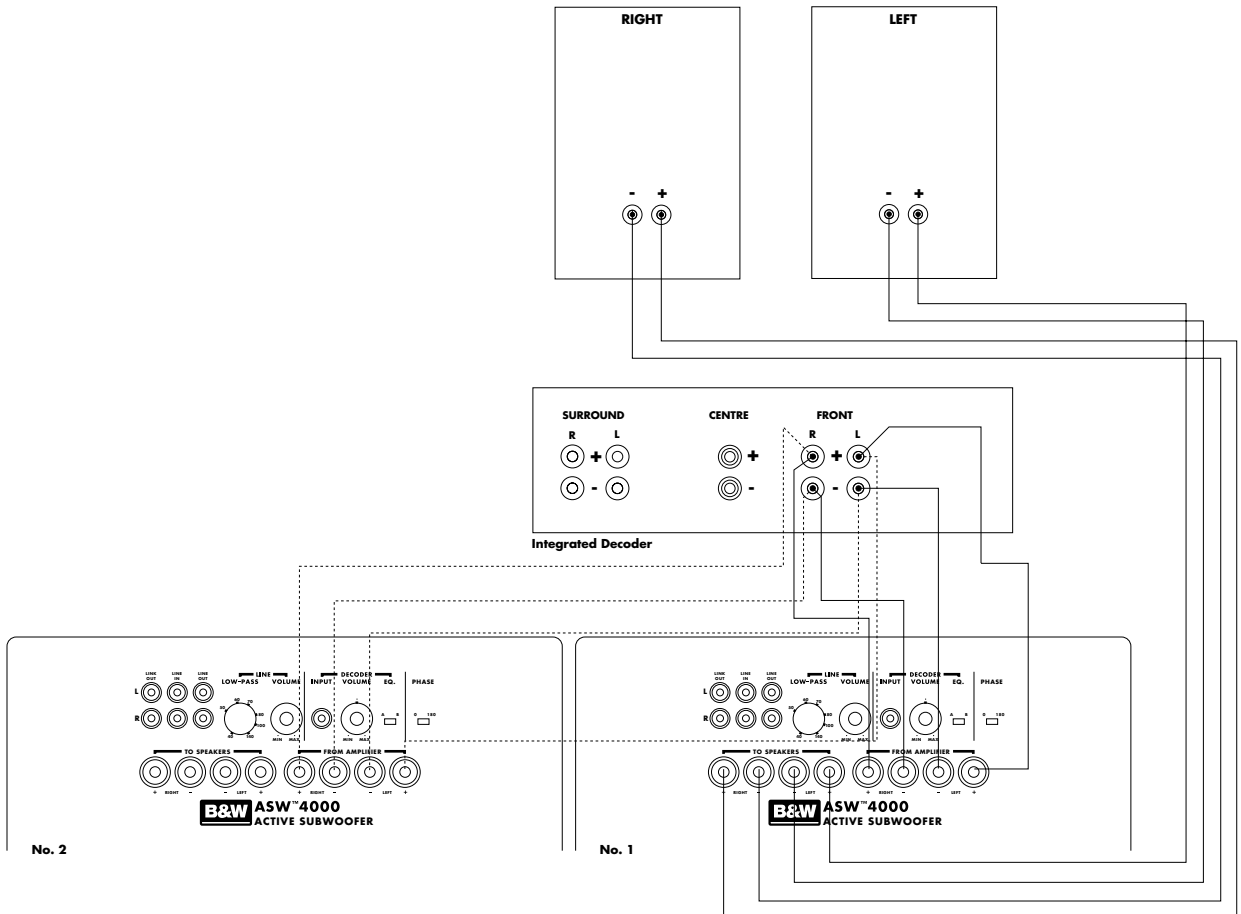


Figure 7

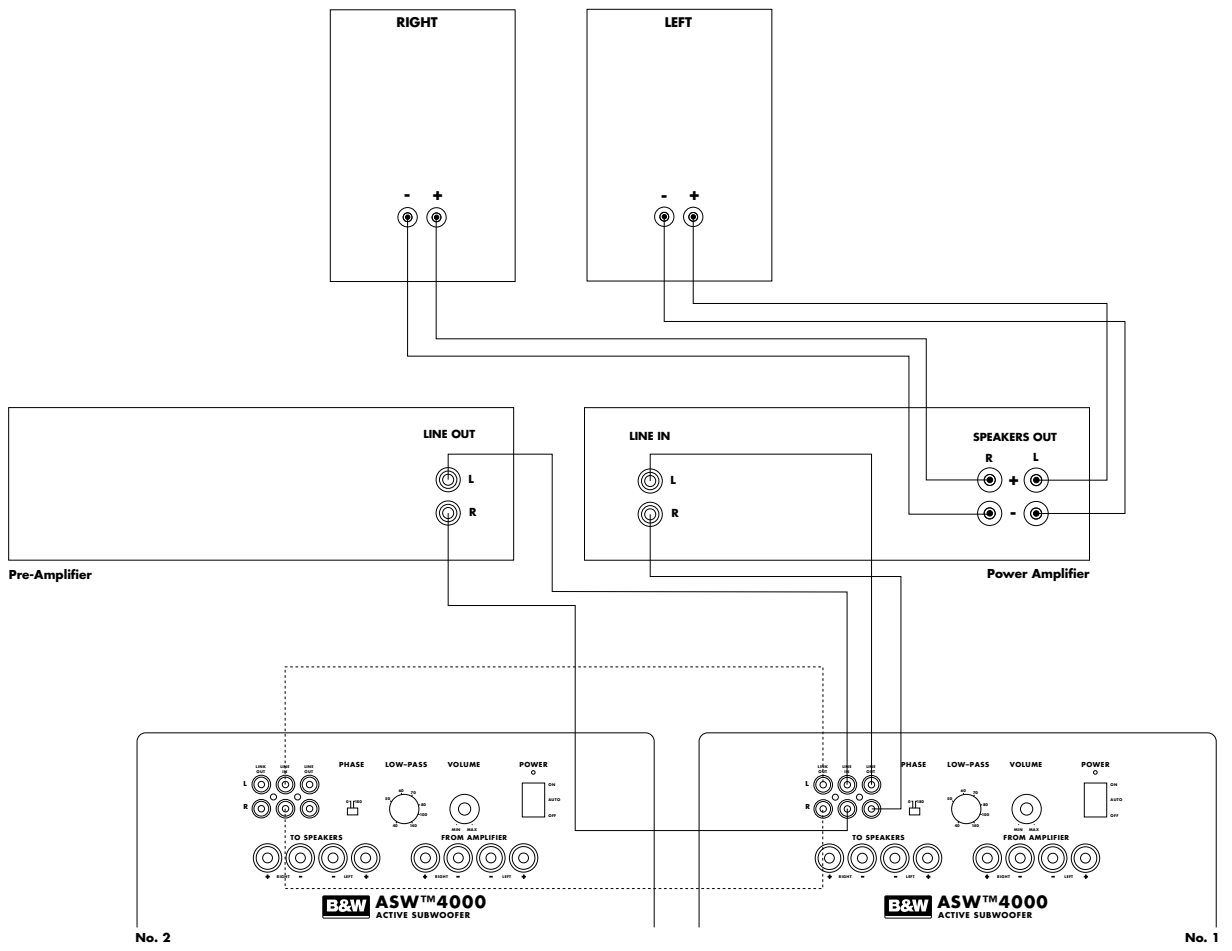


Figure 8

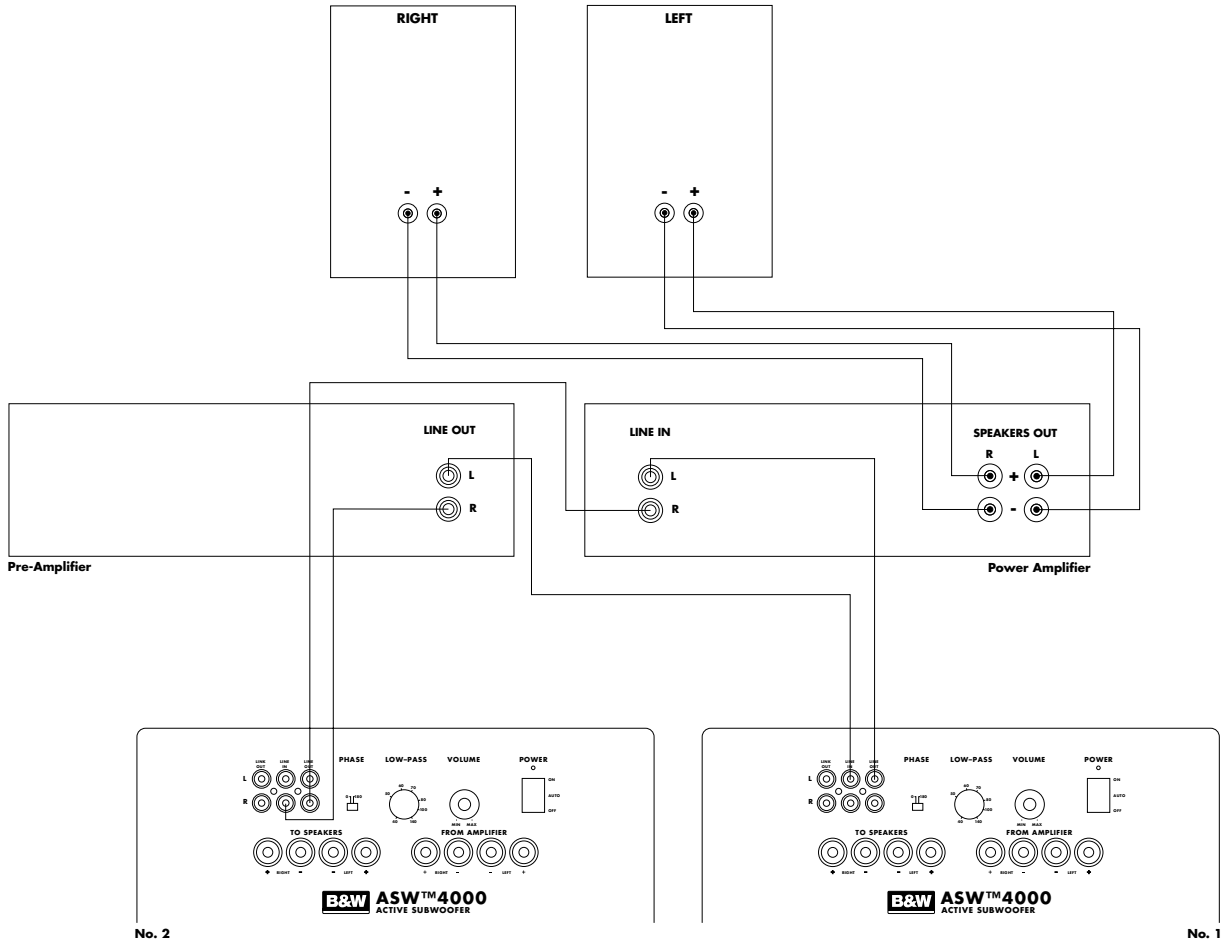


Figure 9

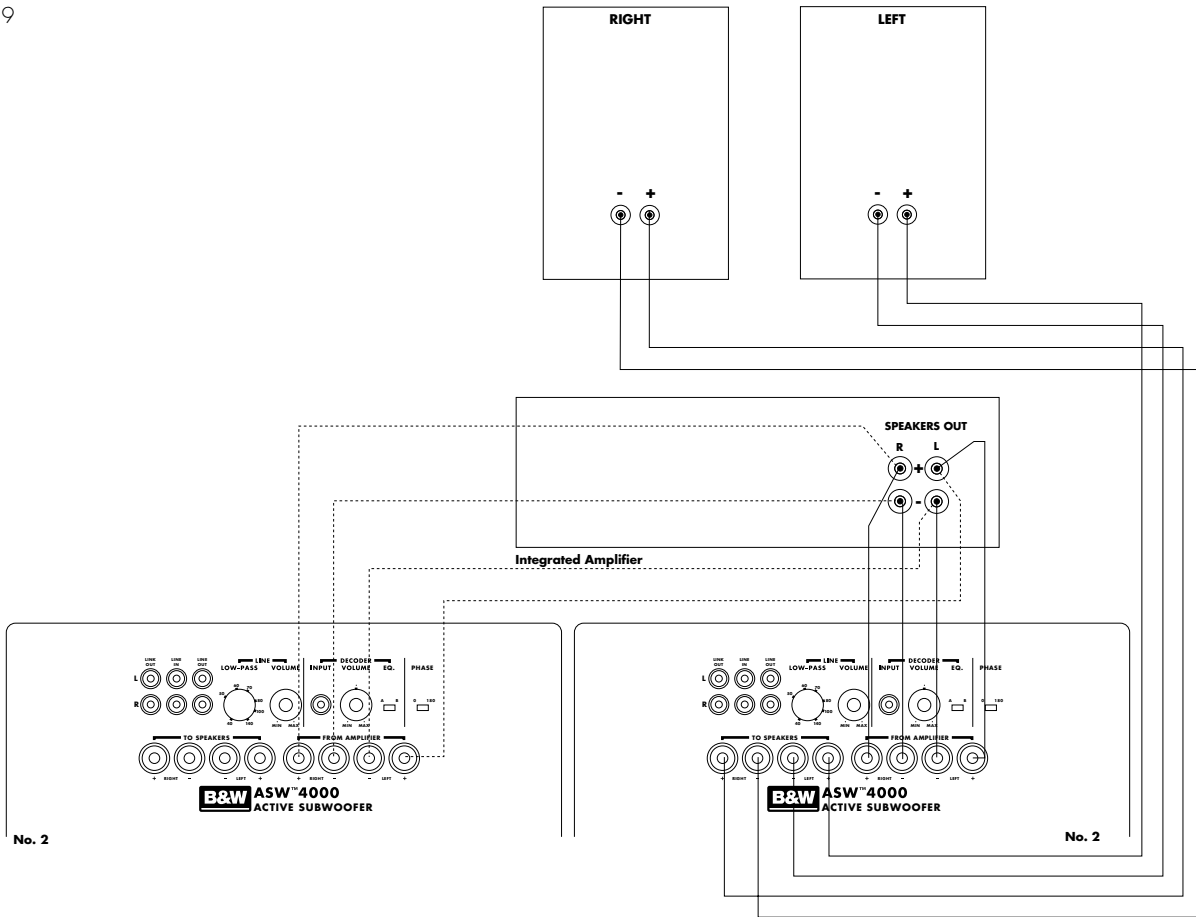
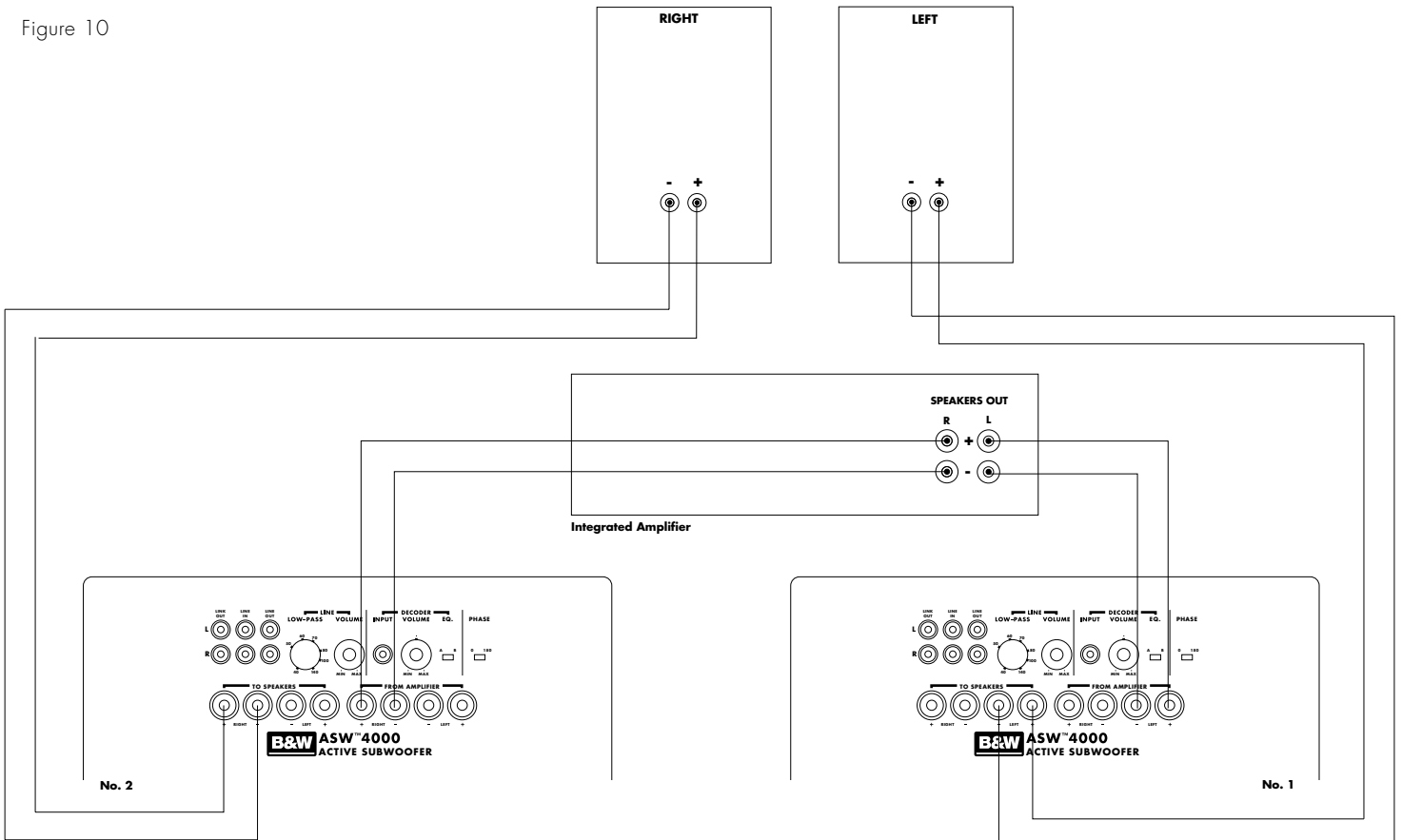


Figure 10





Safety Instructions



Caution:

To reduce the risk of electric shock, do not remove the back panel. No user-serviceable parts inside. Refer servicing to qualified personnel.

Explanation of Graphical Symbols



The lightning flash within an equilateral triangle is intended to alert you to the presence of un-insulated "dangerous voltage" within the product's enclosure that may be of sufficient magnitude to constitute an electric shock to persons.



The exclamation point within an equilateral triangle is intended to alert you to the presence of important operating and maintenance (servicing) instructions in the literature accompanying the appliance

- 1 Read Instructions – All the safety and operating instructions should be read before the appliance is operated.
- 2 Retain Instructions – The safety and operating instructions should be retained for future reference.
- 3 Heed Warnings – All warnings on the appliance and in the operating instructions should be adhered to.
- 4 Follow Instructions – All operating and use instructions should be followed.
- 5 Water and Moisture – The appliance should not be used near water – for example, near a bathtub, washbowl, kitchen sink, laundry tub, in a wet basement, or near a swimming pool and the like.
- 6 Carts and Stands – The appliance should be used only with a cart or stand that is recommended by the manufacturer.
- 7 Wall or Ceiling Mounting – The appliance should be mounted to a wall or ceiling only as recommended by the manufacturer.

- 8 Ventilation – The appliance should be situated so that its location or position does not interfere with its proper ventilation. For example, the appliance should not be situated on a bed, sofa, rug, or similar surface that may block the ventilation openings; or placed in a built-in installation, such as a bookcase or cabinet, that may impede the flow of air through the ventilation openings.
- 9 Heat – The appliance should be situated away from heat sources such as radiators, heat registers, stoves, or other appliances that produce heat.
- 10 Power Sources – The appliance should be connected to a power supply only of the type described in the operating instructions or as marked on the appliance.
- 11 Grounding or Polarisation – The appliance should not be grounded. When using an extension power-supply cord or a power-supply cord other than that supplied with the appliance, it should be 2-core, fitted with the appropriate moulded-on plugs and carry safety approval appropriate to the country of use.
- 12 Power Cord Protection – Power-supply cords should be routed so that they are not likely to be walked on or pinched by items placed on or against them, paying particular attention to cords at plugs, convenience receptacles and the point where they exit from the appliance.
- 13 Cleaning – The appliance should be cleaned only as recommended by the manufacturer.
- 14 Non-use Periods – The power cord of the appliance should be unplugged from the outlet when left unused for a long period of time.
- 15 Object and Liquid Entry – Care should be taken so that objects do not fall and liquids are not spilled into the enclosure through openings.
- 16 Damage Requiring Service – The appliance should be serviced by qualified personnel when:
 - a The power-supply cord or the plug has been damaged; or
 - b Objects have fallen, or liquid has been spilled into the appliance; or
 - c The appliance has been exposed to rain; or
 - d The appliance does not appear to operate normally, or exhibits a marked change in performance; or
 - e The appliance has been dropped, or the enclosure damaged.
- 17 Servicing – The user should not attempt to service the appliance beyond that described in the operating instructions. All other servicing should be referred to qualified service personnel.

Warnings:

To prevent fire or shock hazard, do not expose this equipment to rain or moisture.

Observe all warnings on the equipment itself. To avoid electrical shock, do not open the enclosure or remove the amplifier from the rear panel. There are no user serviceable parts inside. Refer all service questions to an authorised B&W dealer.

To prevent electric shock, do not use this (polarised) power plug with an extension cord receptacle or other outlet unless the blades can be fully inserted to prevent blade exposure.

Ensure that the voltage indicated on the amplifier panel matches that of the power supply. If it does not, contact an authorised B&W dealer to alter the setting of the voltage selector.

The mains fuseholder is located on the back panel of the amplifier module. Replacement fuse must be of the same type and rating as supplied.

The equipment should not be earthed (grounded).

To ensure adequate cooling of the amplifier, operate the equipment only with the heatsink fins aligned vertically.

The subwoofer is heavy and bulky, it should be moved or lifted by at least two people.

Check that there are no cables under the carpet that may be damaged by the spikes.

Do not walk the unit on the spikes as this may cause them to become detached from the cabinet and cause damage.

Take care not to spike through your own feet.

Introduction

Thank you for purchasing the B&W ASW™4000 Active Subwoofer.

Since its foundation in 1966, the continuing philosophy of B&W has been the quest for perfect sound reproduction. Inspired by the company's founder, the late John Bowers, this quest has entailed not only high investment in audio technology and innovation but also an abiding appreciation of music and the demands of film sound to ensure that the technology is put to maximum effect.

The ASW™4000 has been designed for Home Theatre installations and to augment the bass performance of 'full range' speakers in stereo audio use. Adding the subwoofer to your system not only extends the bass to lower frequencies, it improves the midrange clarity by reducing the low-frequency demands on your existing speakers.

The subwoofer is magnetically shielded for use close to a television screen.

Please read through this manual fully before using the subwoofer. All sound installations require some planning and experimentation if you are to get the best out of the products used and this manual will guide you in this process.

As the subwoofer is connected to the electricity power supply, it is important that you familiarise yourself with the safety instructions and heed all warnings.

Keep this manual in a safe place for future reference.

B&W loudspeakers are distributed to over 60 countries world-wide and we maintain an international network of carefully chosen and dedicated distributors. If you have a problem which your dealer cannot resolve, our distributors will be more than willing to assist you.

Unpacking (figure 1)

The easiest way to unpack the subwoofer and avoid damage is as follows:

- Open the carton flaps right back and invert the carton and contents.
- Lift the carton away from the product.
- We recommend that you retain the packaging for future use.

In addition to this manual, the carton should contain:

- 1 Subwoofer
- 1 Accessory pack containing:
 - 4 Spikes with lock nuts
 - 4 Self-adhesive rubber feet
 - 1 Phono 'T'-splitter plug

A tour of the subwoofer (figure 2)

- 1 Heatsink
- 2 Line level connectors
- 3 Speaker level connectors
- 4 Low-pass filter frequency control (line input)
- 5 Volume control (line input)
- 6 Decoder input
- 7 Volume control (decoder input)
- 8 Equalisation switch (decoder input)
- 9 Phase switch
- 10 On/Auto/Off switch
- 11 Mains input socket
- 12 Voltage selector/indicator
- 13 Fuseholder
- 14 Power/Standby indicator
- 15 Toroidal mains transformer housing

Positioning the subwoofer

Because the subwoofer produces only low-frequency sounds, positioning is less critical in some respects compared with full-range speakers. Directional information is much less precise and you have more choice where to place the speakers to good effect. This said, best results are obtained if the subwoofer is placed between the satellite speakers or in the vicinity of one of them. If you use two subwoofers, it is best to put one near each satellite speaker.

Placing the subwoofer behind the listeners, even in surround sound installations, generally gives inferior imaging; but may be an acceptable compromise if domestic considerations dictate.

As with all speakers, the proximity of room boundaries affects the sound. Bass is generally increased as more surfaces come into close proximity with the speakers. Unlike full-range speakers, however, you can always restore the correct overall system balance by adjusting the volume level of the subwoofer. The more boost you get from the room, the less hard the speaker has to work; but there is a down side. Corner positions often excite more low-frequency room resonances, making the bass more uneven with frequency. There is no substitute for experiment as all rooms behave differently, so try the subwoofer in a variety of positions before making a final decision. A piece of music with a bass line ascending or descending the musical scale is useful for assessing the smoothness of the bass response. Listen for exaggerated or quiet notes. Having a separate subwoofer does enable you to optimise for room resonances independently from siting the satellite speakers for best imaging.

If the subwoofer is to be used in a confined space (eg in custom furniture), the space must be ventilated to allow sufficient air to circulate and cool the unit. Ask your dealer for advice.

The subwoofer is supplied with four spike feet. The spikes pierce through carpet pile, giving a firm support directly to the floor surface without crushing the pile. When fitting spikes, first screw the lock nuts fully onto the spikes, then screw the spikes fully onto the threaded inserts in the base of the cabinet. If the unit rocks, loosen the relevant two opposing spikes until the support is firm, then re-tighten the lock nuts to the inserts.

If the unit is to be placed on a vulnerable surface, either place a protective disc under each spike or fit the four rubber pads in place of the spikes.

Electrical connections

Disconnect all sound system equipment from the power supply until the signal connections have been made and checked. This avoids the risk of damage whilst connections are made or broken.

The function of the subwoofer is to receive signals from the amplification chain and, where necessary split the signal into low bass and higher frequencies and feed the latter back out to the satellite speakers. Left and right channel inputs may be combined into a single mono low bass feed to the subwoofer drive unit if required.

The subwoofer will input and output both line level signals via the RCA Phono sockets and speaker level signals via the binding posts located on the back panel, giving a flexible choice of connection methods. However, you must not use a mixture of line level and speaker level connections in the same installation. If you have a choice between line level and speaker level connections, choose line level.

The subwoofer also has a dedicated decoder input, which is automatically selected if a signal is present on this input. If no signal is detected on this input for approximately 20 seconds, the subwoofer will switch to the line/speaker level inputs.

Decoder volume and equalisation are set by separate controls from the line and speaker inputs, for ease of installation.

Use the following table to select the correct wiring method for your installation:

Application: Home Theatre

- Decoder with separate power amplifiers:
 - a With subwoofer output: Connections: fig. 3
 - b No subwoofer output: Connections: fig. 4
- Decoder with integrated power amplifiers:
 - a With subwoofer output: Connections: fig. 5
 - b No subwoofer output: Connections: fig. 6

Application: Stereo Audio

Separate pre- & power amplifiers:

- a One or more subwoofers with output combined into a single mono signal: Connections: fig. 7
- b Two subwoofers with separate left and right signals: Connections: fig. 8

• Integrated amplifier:

- a One or more subwoofers with output combined into a single mono signal: Connections: fig. 9
- b Two subwoofers with separate left and right signals: Connections: fig. 10

Using more than one subwoofer

Using more than one unit in a single installation can improve performance in the following ways:

- Maintain stereo separation to the lowest frequencies.
- Cope with larger listening rooms.
- Enable greater maximum sound output – often useful for effectively reproducing special effects in Home Theatre applications.
- Smooth out the effects of low-frequency room resonances.

If you are using two subwoofers for stereo audio, stereo separation is improved if each channel has its own subwoofer, providing each one is sited close to the relevant satellite speaker.

If using a decoder, use the phono 'T'-piece provided, and make connections to the decoder input on each subwoofer. For two channel audio, use both line input channels.

Double check the connections

ENSURE THAT THE VOLTAGE INDICATED ON THE AMPLIFIER PANEL MATCHES THAT OF THE POWER SUPPLY.

Before auditioning the sound quality of your new installation and fine tuning it, double check the connections. All too often, users complain that they cannot get a decent sound however they set the controls, only to discover something has been wrongly connected. Make sure that:

- The phasing is correct – there should be no positive to negative connections (this applies only to speaker level interconnects). If something is out of phase you may get a fuzzy sound with an imprecise and floating image, a lack of bass or a combination of the two.
- There are no left to right mix-ups – this can result, for example, in the orchestra being the wrong way round or, more disastrously, sounds on your Home Theatre going in the opposite direction to the action on the screen.

Switching on and off

We recommend that you switch the subwoofer on before any power amplifiers receiving signals from the subwoofer. Similarly, when switching off, switch the subwoofer off last.

Auto:

On first switching the subwoofer to Auto, the amplifier becomes fully active and the light above the on/auto/off switch glows green. After a period of about 5 minutes without an input signal, the amplifier automatically reverts to standby mode, and the light glows red. When an input signal is detected, the amplifier automatically becomes fully active and the light glows green.

On:

With the switch in this position, the amplifier remains permanently on, and the light glows green.

Off:

In this position, the amplifier is in standby, and the light glows red.

Setting the controls

Line and speaker level inputs

There are three controls to consider:

- The LOW-PASS filter frequency
- The VOLUME control
- The PHASE switch

Decoder input

There are three controls to consider:

- The DECODER VOLUME control
- The PHASE switch
- The EQUALISATION switch

The optimum settings depend on the other equipment used with the subwoofer. If using more than one subwoofer, make sure the controls on each one are set the same.

Use with THX® controllers (including THX controllers set in non-THX mode)

The ASW™4000 is not a THX® licensed component, but may be used with a THX® controller if desired.

- Set the decoder volume control to the detent at the half-way (12 o'clock) position (this is a standard THX® pre-set level of 88dB SPL @ 1m for 100mV input signal).
- Set the EQUALISATION switch initially to position A, then see the section below on fine tuning.
- Set the PHASE switch initially to 0°, then see the section below on fine tuning.

Ensure that the subwoofer function on the THX® controller is enabled. When so configured it incorporates all the filtering and level setting required for the subwoofer in all modes. For level calibration, the internal test noise and channel level controls in the THX® controller should be used. In all cases the levels should be set so as to obtain 75dB spl (C-weighted) at the listening position from the controller's internal noise test signal. Refer to your controller manual for further details as to how to set the levels. Inexpensive sound level meters are readily available from electronics stores and should be used to calibrate the levels.

Use with other Home Theatre decoders

- If the decoder has a dedicated subwoofer output and an internal LOW-PASS filter for the subwoofer having a slope of 2nd-order (12db/octave) or greater, set the LOW-PASS filter frequency to maximum, otherwise set it initially to 80 Hz.
- Set the VOLUME control initially to the half-way (12 o'clock) position, then see the section below on fine tuning.
- Set the PHASE switch initially to 0°, then see the section below on fine tuning.

Use for stereo audio

- Set the LOW-PASS filter initially to 80 Hz then

see the section below on fine tuning.

- Set the volume control initially to the half way (12 o'clock) position, then see the section below on fine tuning.
- Set the PHASE switch initially to 0°, then see the section below on fine tuning.

Fine tuning

The setting of the EQUALISATION switch affects only the signal via the decoder input. Position A is optimised to allow the subwoofer to provide the highest listening levels, while position B gives greater bass extension.

The optimum settings of the PHASE switch and the LOW-PASS filter frequency are inter-related and also dependent on the low-frequency cut-off characteristic of the satellite speakers and the relative positions of all the speakers in the installation.

Set the system up in the preferred position and play some programme with a steady bass content. The optimum setting for the LOW-PASS cut-off frequency depends on several variables – the bass performance and power handling of the satellite speakers, the number of subwoofers used and their position relative to the satellite speakers. The range 80-90 Hz is a good starting point for the LOW-PASS frequency. Unless two subwoofers are used to preserve separate right and left channel information and are sited close to the relevant satellite speakers, using a higher cut-off frequency may compromise the stereo image and should only be considered if the bass performance of the satellite speakers is particularly limited.

At each setting of the cut-off frequency, listen with the phase switch in both positions. The correct one is that which gives the fullest bass and that will depend on the bass characteristics of your satellite speakers and the relative distances of the subwoofer(s) and the satellite speakers to the listeners. When using more than one subwoofer, ensure that each one has its cut-off frequency and phase switch set the same way.

If at any time you make changes to the amplification of the system such that you change from speaker to line level connections to the subwoofer, it is worth checking the phase setting again, as the speaker level and line level high-pass filter phase characteristics of the subwoofer are different.

Set the loudness of the subwoofer relative to the satellite systems to your liking. Use a wide variety of programme material to get an average setting. One that sounds impressive on one piece may sound overpowering on another. Listen at realistic levels as the perception of balance varies with sound level.

If you get problems with lumpy bass – if certain bass notes are exaggerated more than others – then you probably have a room interface problem and it is worth experimenting with the placement of the subwoofer. What may seem like small changes in position – 15cm (6in) or so – can have a profound effect on the sound.

Try raising the subwoofer clear of the floor as well as lateral movement. The use of multiple subwoofers can smooth the effects of room resonances as each subwoofer will tend to excite resonances at different frequencies. If you alter the relative distances from the subwoofer(s) and satellite speakers to the listeners appreciably, reassess the phase switch setting. You should also check the level setting of the subwoofer (using either the decoder output levels or the volume control on the subwoofer amplifier as appropriate), but only after setting the phase correctly.

Taking care of the subwoofer

The cabinet of the subwoofer may be cleaned by dusting with a dry cloth. If you wish to use an aerosol cleaning spray, do not spray directly on the cabinet; spray onto the cloth. Remove the grille first so that the cloth does not become stained, but be careful not to disturb the drive unit. The grille itself may be cleaned using a soft brush.

Do not use the subwoofer as a table. When in use, objects left on top of the subwoofer are liable to rattle. In particular, avoid the risk of liquids being spilled (eg from drinks or vases of flowers).

If the system is taken out of use for a long period, disconnect the subwoofer from the power supply.

Avertissements:

Pour éviter tout risque d'incendie ou d'électrocution, n'exposez jamais cet appareil à la pluie ou même à l'humidité.

Assurez-vous, en premier lieu, que la tension indiquée sur l'appareil correspond bien à celle de votre réseau électrique. Si vous ne pouvez le faire, contactez un revendeur B&W autorisé. Ne tentez pas de modifier le réglage du sélecteur de tension.

Observez tout signe anormal pouvant provenir du subwoofer lui-même, n'ouvrez jamais l'enceinte et ne sortez pas l'amplificateur de son logement; vous n'y trouverez aucun réglage utile.

En cas de problème renseignez-vous, préalablement à toute intervention, auprès d'un véritable revendeur spécialiste de la marque B&W.

Pensez que vous risquez l'électrocution si vous n'enfoncez pas complètement les pôles de la prise d'alimentation, surtout lorsque vous employez un prolongateur ou un raccord électrique.

Les fusibles d'alimentation se trouvent sur le panneau du module d'amplification. En cas de remplacement, n'utilisez jamais de fusibles d'un type différent; vérifiez que les valeurs indiquées sur les nouveaux fusibles sont parfaitement identiques à celles qui figurent sur les modèles d'origine.

Cet appareil ne doit pas être raccordé à la terre.

Pour assurer une ventilation suffisante à l'amplificateur, les ailettes des radiateurs de refroidissement doivent être orientées en position verticale.

Ce subwoofer est lourd et volumineux, il doit être manipulé par un minimum de deux personnes.

Contrôlez que les câbles ne risquent pas d'être transpercés par les pointes de découplage.

Ne déplacez pas l'appareil en le faisant glisser sur ses pointes. Vous risquez de les arracher ou de créer des dégâts.

Prenez simplement garde de ne pas vous piquer.

Introduction:

Nous vous remercions d'avoir choisi le Subwoofer actif B&W ASW™4000.

Depuis la création de notre entreprise en 1966, la base invariable de notre philosophie a toujours été la recherche de la perfection absolue. Inspirée par son fondateur, le regretté John Bowers, cette extraordinaire aventure qu'est la quête de l'absolu, n'a pas seulement débouché sur de très lourds investissements consacrés à la recherche et à l'innovation, mais aussi sur une profonde connaissance de la musique et des spécificités du son cinématographique. Cette connaissance nous permet de nous assurer que la technologie sera toujours utilisée au service du meilleur résultat possible et non à la technique pour la technique.

L'ASW™4000 n'a pas seulement été étudié pour les installations de Home Cinéma, il conviendra naturellement à la reproduction de haute qualité des très basses fréquences de toute chaîne sonore.

Ce subwoofer apporte, en plus d'une extension spectaculaire de la réponse vers l'extrême-grave, une amélioration non négligeable de la clarté de reproduction du médium, grâce à la réduction du travail demandé aux enceintes principales.

L'ASW™4000 est blindé magnétiquement. Vous pouvez donc l'utiliser à proximité de votre téléviseur.

Veuillez lire attentivement et totalement cette notice avant d'utiliser votre subwoofer. Toute installation sonore requiert un minimum d'attention et d'expérimentation quand on souhaite en tirer le meilleur parti; ce manuel vous guidera dans cette voie.

Avant de raccorder le subwoofer au réseau électrique, il est important que vous ayez pris connaissance des consignes de sécurité pour que vous puissiez tenir compte de tout signe anormal ou alarmant.

Rangez ce guide de telle façon que vous puissiez le retrouver facilement pour de futures consultations.

La distribution de B&W est assurée dans plus de 60 pays à travers le monde. Nous entretenons un réseau d'importateurs sélectionnés avec la plus grande attention.

Quelque soit le problème qu'un revendeur ne saurait régler, n'hésitez jamais à contacter votre agent national afin qu'il puisse vous assister.

Deballage: (figure 1)

Pour déballer aisément votre subwoofer tout en évitant le risque d'un choc malencontreux, veuillez procéder de la manière suivante:

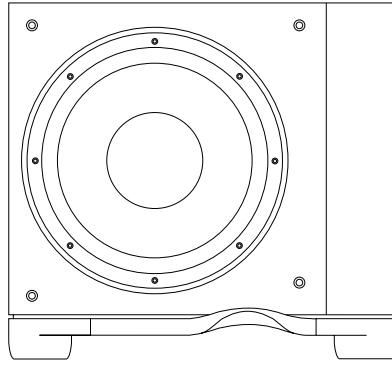
Ouvrez les abattants du carton au maximum puis retournez le colis.

Il suffit ensuite de soulever le carton pour que l'appareil sorte de l'emballage.

Nous vous conseillons de conserver le carton et ses accessoires pour toute utilisation ultérieure.

En plus de ce manuel vous trouverez également:

- Le Subwoofer
- Un sachet d'accessoires contenant:
 - 4 pointes de découplage
 - 4 tampons auto-adhésifs
 - 1 raccord de dédoublement CINCH en T



ASW™ 4000

Description	Active vented-box subwoofer
Drive units	One 380mm (15 in) dia long throw with magnetic shielding
System frequency response	<p>±3dB 17Hz - 40 / 140Hz adjustable (Line In) ±3dB 17Hz - 250Hz (Decoder In, EQ at 'B') ±3dB 24Hz - 250Hz (Decoder In, EQ at 'A')</p>
Amplifier	<p>Power output 450W continuous Input impedance 22kΩ Sensitivity 88dB spl at 1m for 100mV input (Decoder input, level set to centre detent position)</p>
Signal/Noise	90dB
Functions	<p>Line input level Decoder input level Decoder input equalisation Phase 0/180</p>
Inputs	<p>Line In (RCA Phono) Decoder In (RCA Phono) Speaker Level In (Binding Posts)</p>
Outputs	<p>Line Out (RCA Phono, h-p filtered) Link Out (RCA Phono) Speaker Level Out (Binding Posts, h-p filtered)</p>
Low-Pass Filter	<p>Active 4th-order variable cut-off 40Hz - 140Hz (Line In) fixed cut-off 250Hz</p>
High-Pass Filter	<p>Line Level active 3rd-order at 80Hz Speaker Level passive 1st-order at 80Hz into 8W resistor (Response using speaker level connections dependent on satellite impedance)</p>
Internal Volume	100 litres (3.6 cu ft)
Dimensions	<p>Height: 580mm (22.8 in) Width: 610mm (24 in) Depth: 580mm (22.8 in)</p>
Net Weight	75kg (165 lb)
Finish	<p>Cabinet: Real wood veneers of Black Ash, Cherrywood and Red Stained Cherrywood Grille: Black cloth</p>



L I S T E N A N D Y O U ' L L S E E

THX is a registered trademark of Lucasfilm Ltd. B&W Loudspeakers Ltd.
 reserves the right to amend details of the specification without notice in line with technical developments.
 Copyright © B&W Loudspeakers Ltd. Printed in England.

B&W Loudspeakers Ltd, Meadow Road, Worthing, BN11 2RX Tel: +44 (0) 1903 524801 Fax: +44 (0) 1903 524725
<http://www.bwspeakers.com>