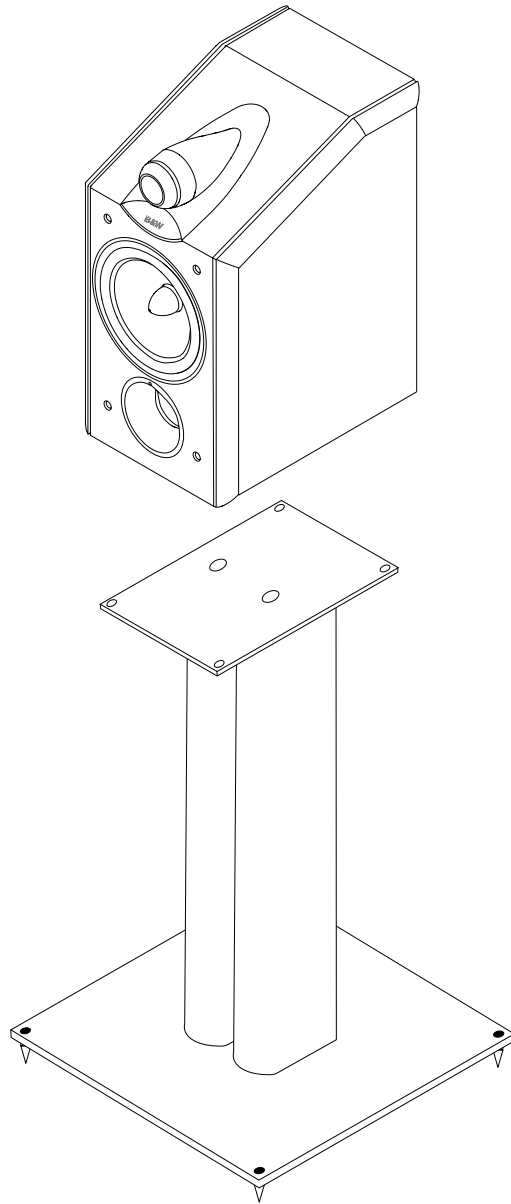
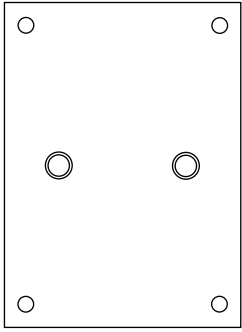


CDMTM NT Series

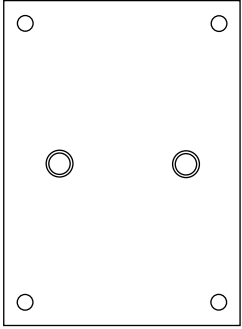
Assembly instructions for the FS-CDM floor stand



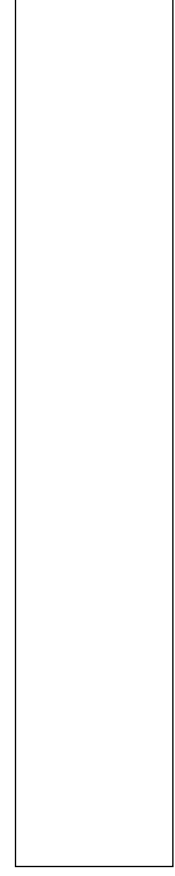
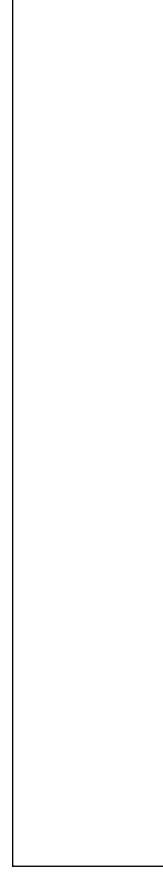
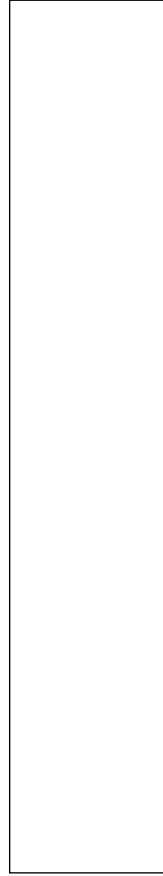
L I S T E N A N D Y O U ' L L S E E



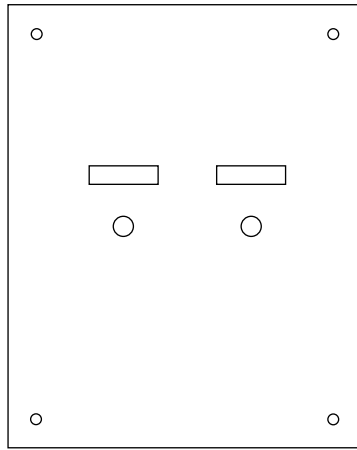
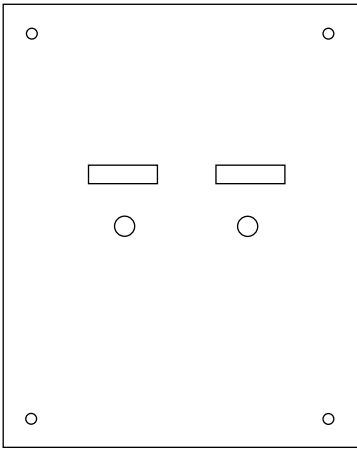
(A)



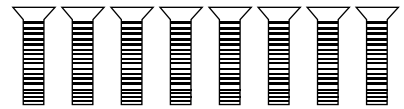
(B)



(C)

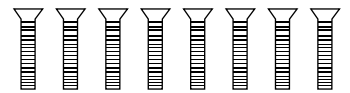


(D)



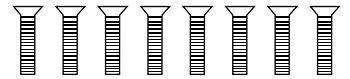
M8 x 25mm

(E1)



M6 x 20mm

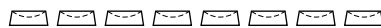
(E2)



M6 x 16mm



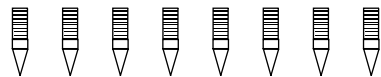
(I)



(H)



(J)

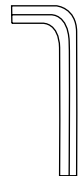


(K)

(G)



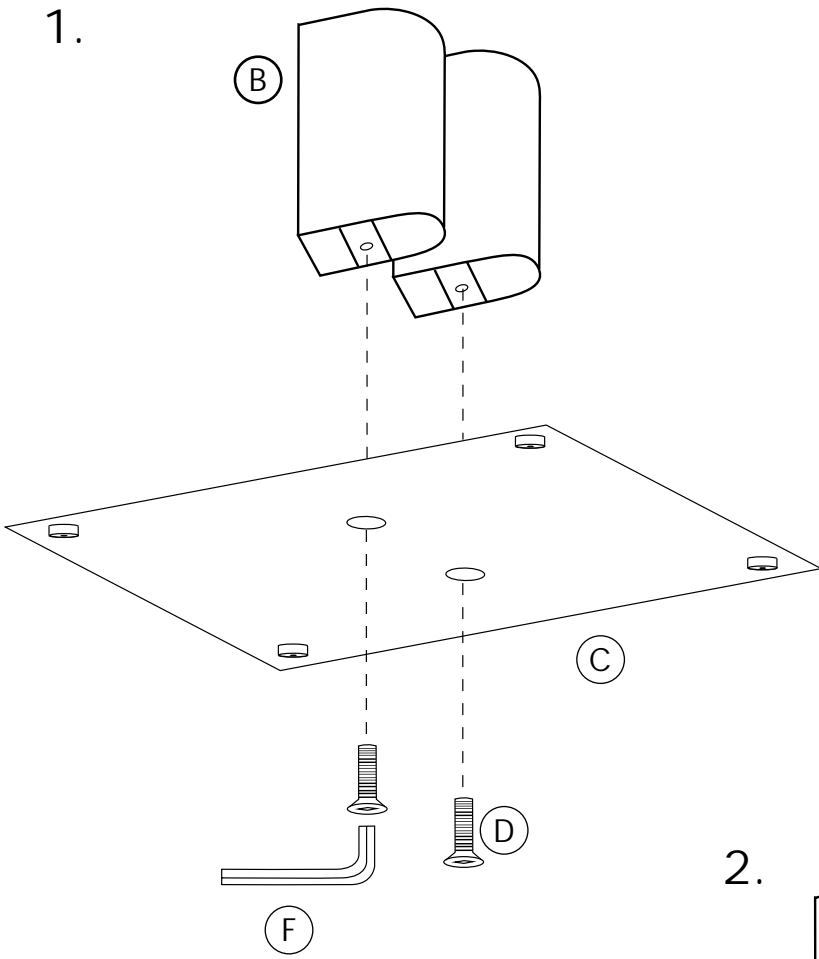
(F)



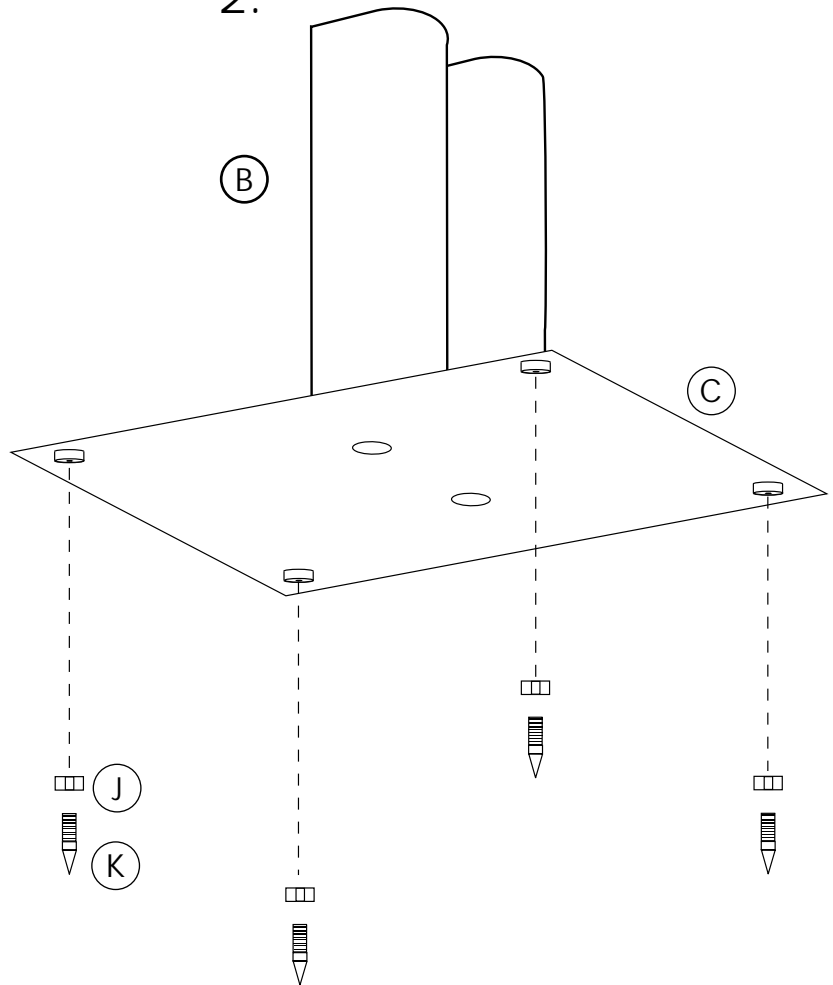
(L)



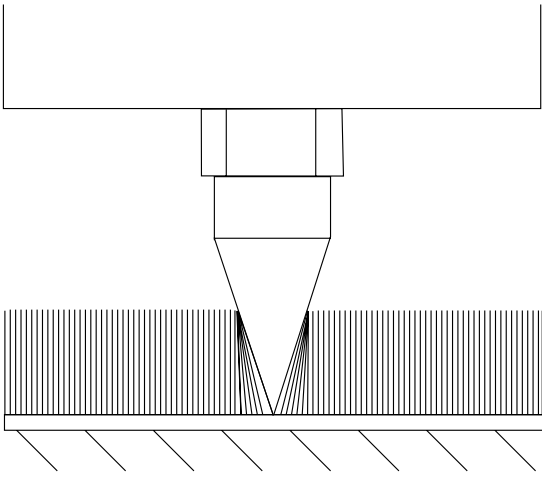
1.



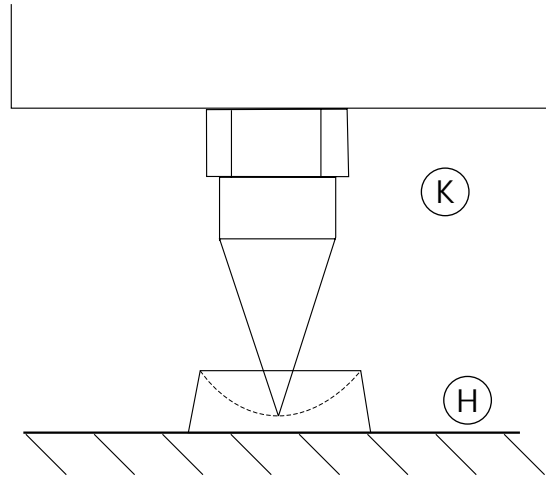
2.



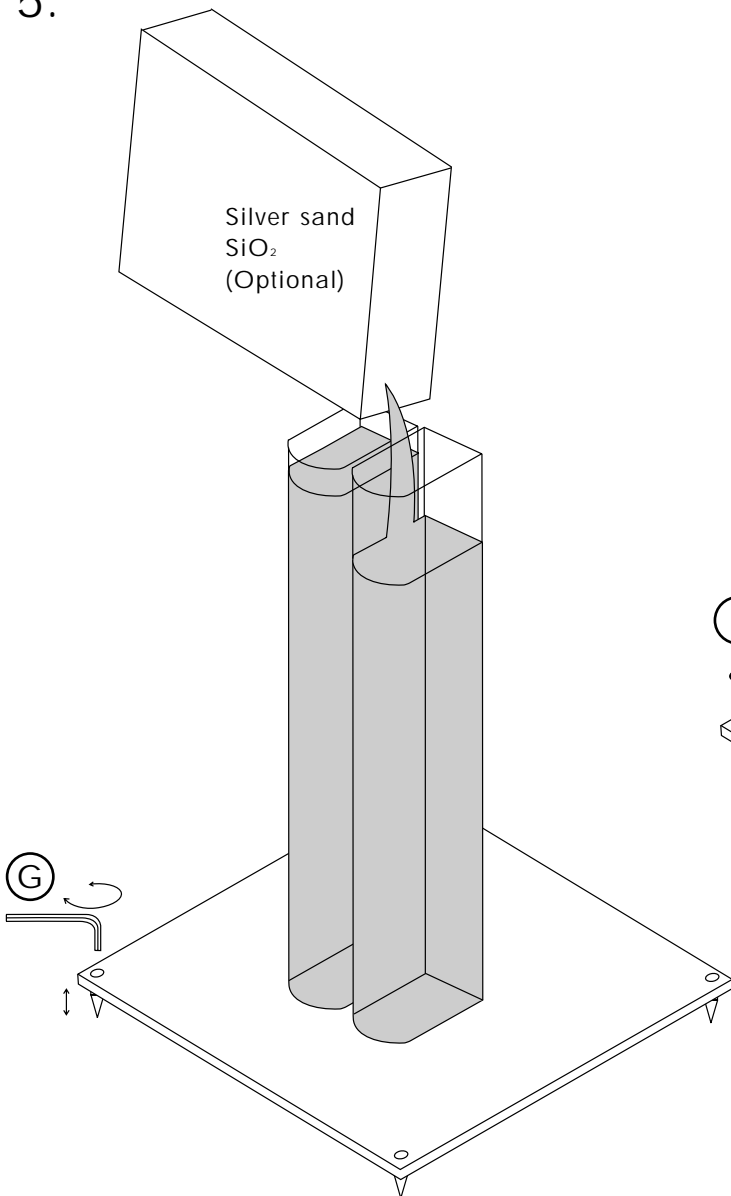
3.



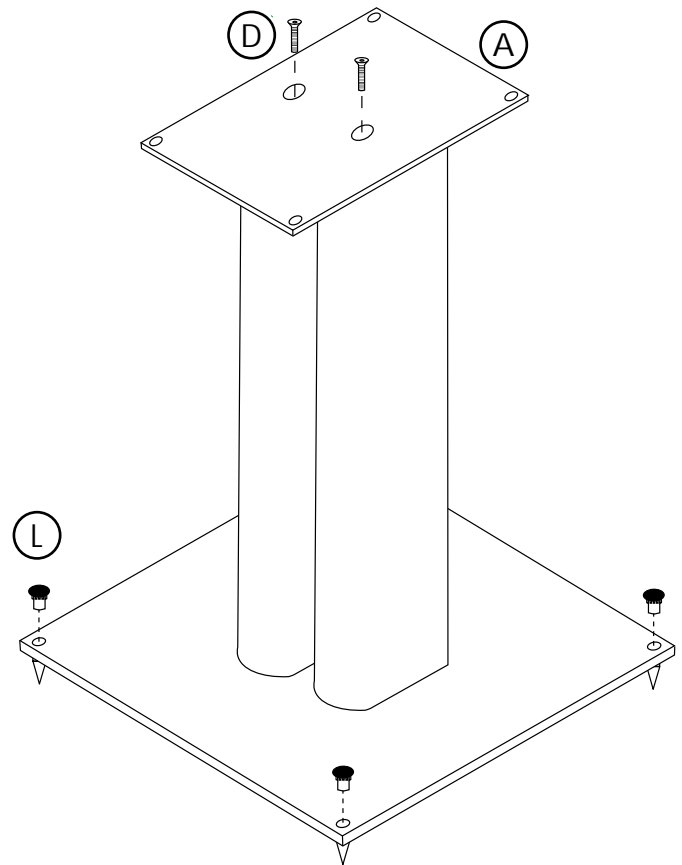
4.



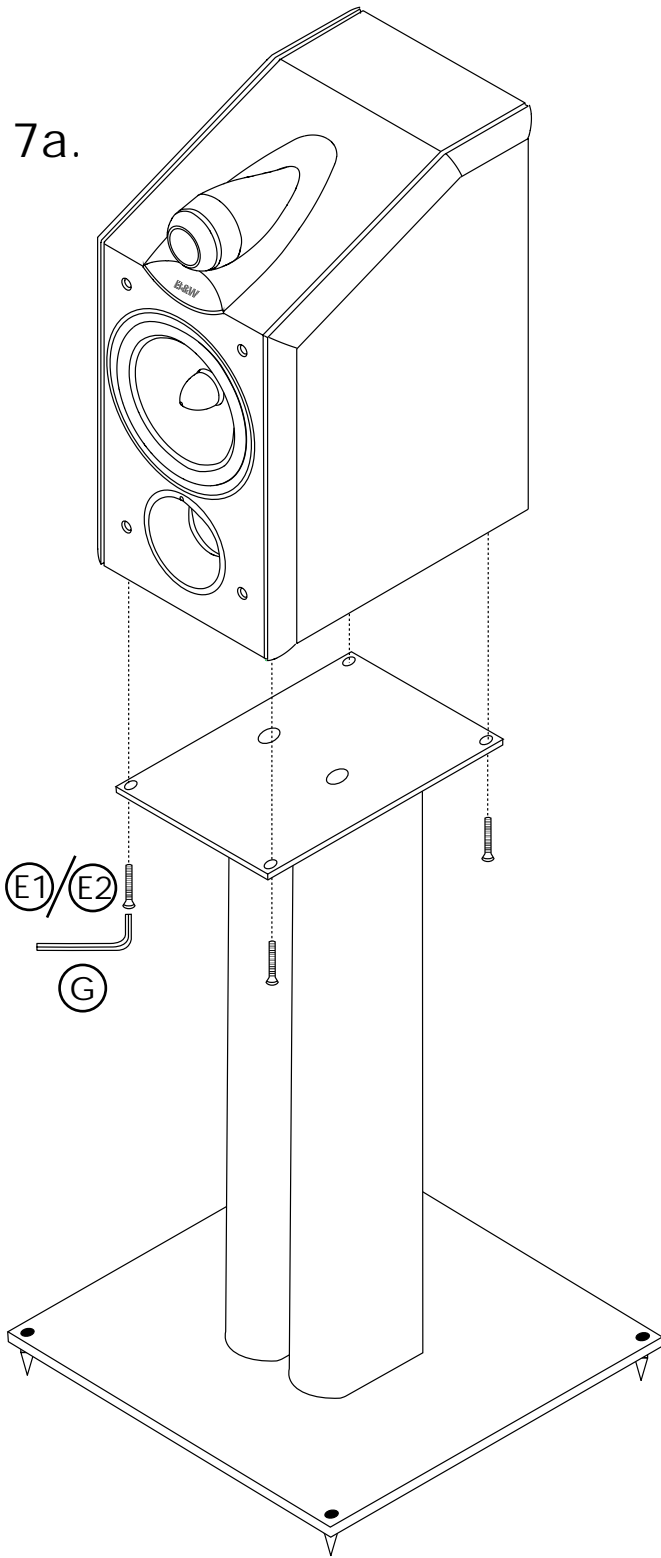
5.



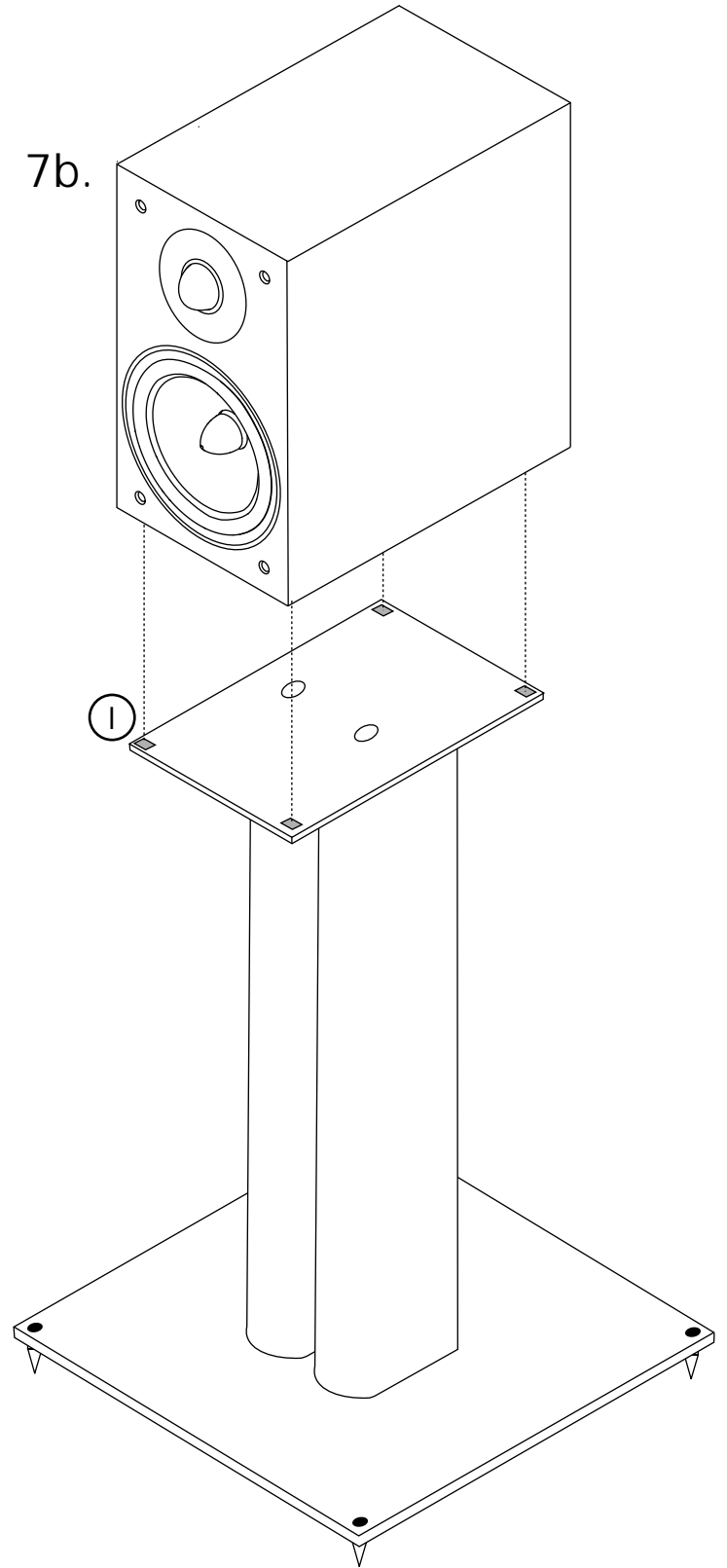
6.



7a.



7b.





L I S T E N A N D Y O U ' L L S E E

B&W Loudspeakers Ltd. reserves the right to amend details of the specification without notice in line with technical developments.

Copyright © B&W Loudspeakers Ltd. Printed in England.

B&W Loudspeakers Ltd, Meadow Road, Worthing, BN11 2RX England

Tel: +44 (0) 1903 524801 Fax: +44 (0) 1903 524725 <http://www.bwspeakers.com>